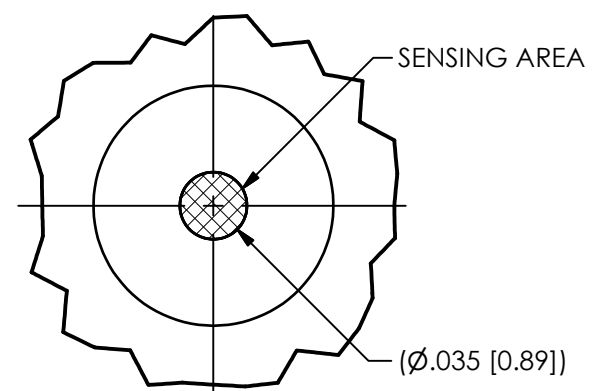
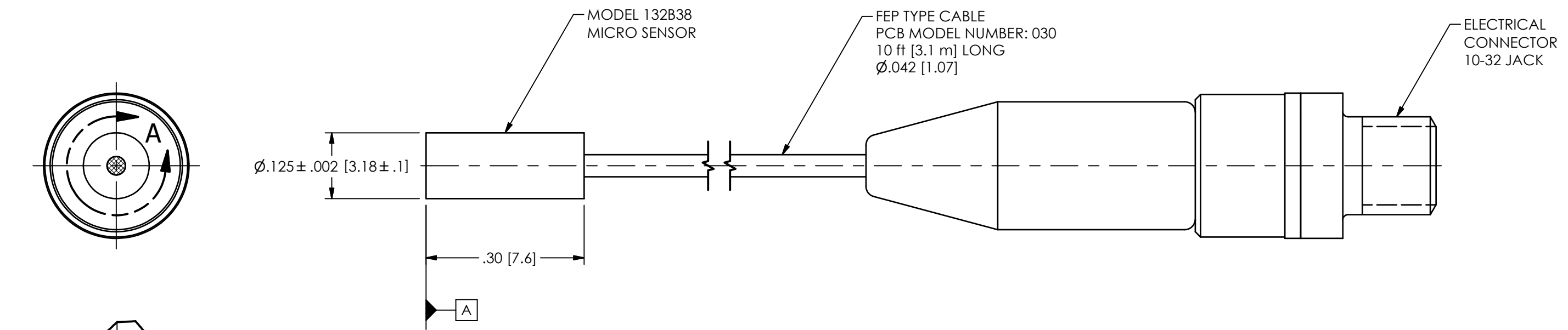


65444

PCB Piezotronics Inc. claims proprietary rights in the information disclosed hereon. Neither it nor any reproduction thereof will be disclosed to others without the written consent of PCB Piezotronics Inc.

REVISIONS		
REV	DESCRIPTION	DIN
A	ADDED MOUNTING HOLE NOTE	47127



DETAIL A
SCALE 10X

- 5.) ALLOW RTV TO FULLY CURE
- 4.) REMOVE EXCESS RTV FROM SENSOR AND MOUNTING HOLE SURFACES
- 3.) INSERT SENSOR INTO BOTTOM OF MOUNTING HOLE, DATUM A SHOULD BE FLUSH WITH MOUNTING HOLE
- 2.) LIGHTLY COAT THE INSIDE DIAMETER OF THE MOUNTING HOLE AND OUTSIDE DIAMETER OF SENSOR
- 1.) PREPARE MOUNTING HOLE: Ø.1285 [3.250] THRU

Vertrieb für Österreich:

nbn Elektronik Handelsgesellschaft m.b.H.
Riesstraße 146, 8010 Graz
www.nbn.at Tel. +43 316 40 28 05 | Fax +43 316 40 25 06

UNLESS OTHERWISE SPECIFIED TOLERANCES ARE:		DRAWN		CHECKED		ENGINEER	
DIMENSIONS IN INCHES	DIMENSIONS IN MILLIMETERS [IN BRACKETS]	KRM	8/25/17	KRM	8/25/17	BAB	8/25/17
DECIMALS XX ±.03 XXX ±.010	DECIMALS X ±0.8 XX ±0.25	TITLE OUTLINE DRAWING MODEL 132B38					
ANGLES ± 2 DEGREES	ANGLES ± 2 DEGREES						
FILLETS AND RADII .003 - .005	FILLETS AND RADII 0.07 - 0.13	CODE IDENT. NO. 52681		DWG. NO. 65444		SCALE: 5X SHEET 1 OF 1	

3425 WALDEN AVE. DEPEW, NY 14043
(716) 684-0001 E-MAIL: sales@pcb.com