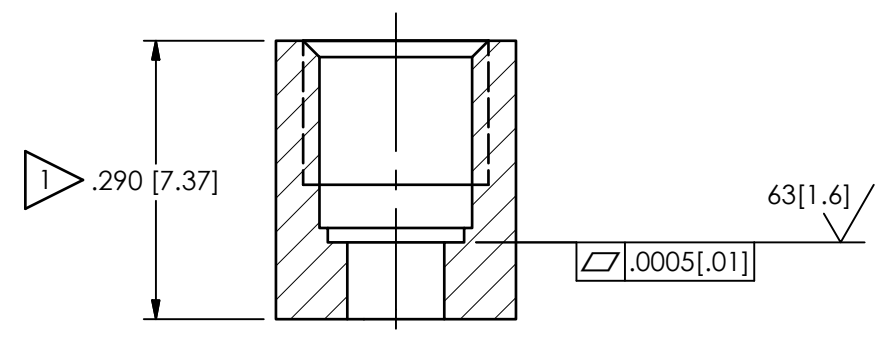
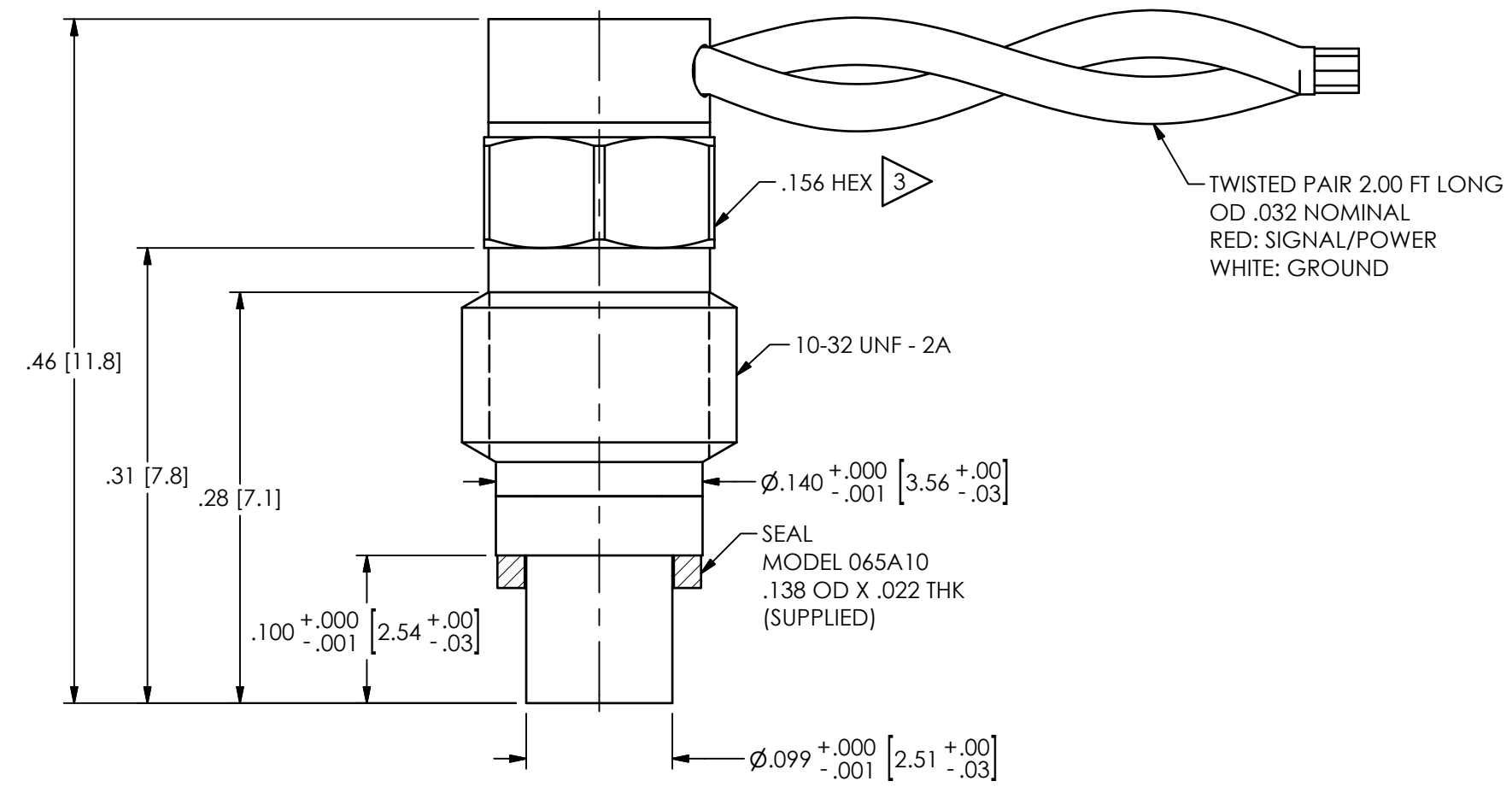


PCB Piezotronics Inc. claims proprietary rights in the information disclosed herein. Neither it nor any reproduction thereof will be disclosed to others without the written consent of PCB Piezotronics Inc.

66912

REVISIONS

REV	DESCRIPTION	DIN
B	5-7 LB-IN WAS 15 IN-LBS	48065



MOUNTING HOLE PREPARATION: 1  
 $\phi .101 \pm .001$  [2.57 ± .03] THRU 2  
 $\perp \phi .142 \pm .001$  [3.61 ± .03]  $\nabla .210^{+.000}_{-.005}$  [5.33 +.00 / -.13] 4 2  
 $\perp \phi .159 \pm .001$  [4.04 ± .03]  $\nabla .195^{+.000}_{-.005}$  [4.95 +.00 / -.13]  
 10-32 UNF-2B  $\nabla .150$  [3.81]

- 4 TO MOUNT SENSOR WITHOUT SEAL, COUNTER BORE DEPTH TO BE  $\nabla .188^{+.000}_{-.005}$  [4.78 +.00 / -.13]
- 3 MOUNTING TORQUE ON .156 [3.96] HEX, 5-7 lb-in
- 2 THESE DIAMETERS MUST BE CONCENTRIC WITHIN .001 [.03] TIR
- 1 THESE DIMENSIONS FOR .290 [7.37] THICK WALL, COUNTERBORE FOR THICKER WALLS

UNLESS OTHERWISE SPECIFIED TOLERANCES ARE:		DRAWN	CHECKED	ENGINEER	PCB PIEZOTRONICS™ 3425 WALDEN AVE. DEPEW, NY 14043 (716) 684-0001 E-MAIL: sales@pcb.com
DIMENSIONS IN INCHES DECIMALS XX ± .01 XXX ± .005 ANGLES ± 2 DEGREES FILLETS AND RADII .003 - .005	DIMENSIONS IN MILLIMETERS [ IN BRACKETS ] DECIMALS X ± 0.3 XX ± 0.13 ANGLES ± 2 DEGREES FILLETS AND RADII 0.07 - 0.13	KRM 3/28/18	KRM 3/28/18	NJL 3/28/18	
TITLE INSTALLATION DRAWING MODEL 105C PRESSURE SENSOR					