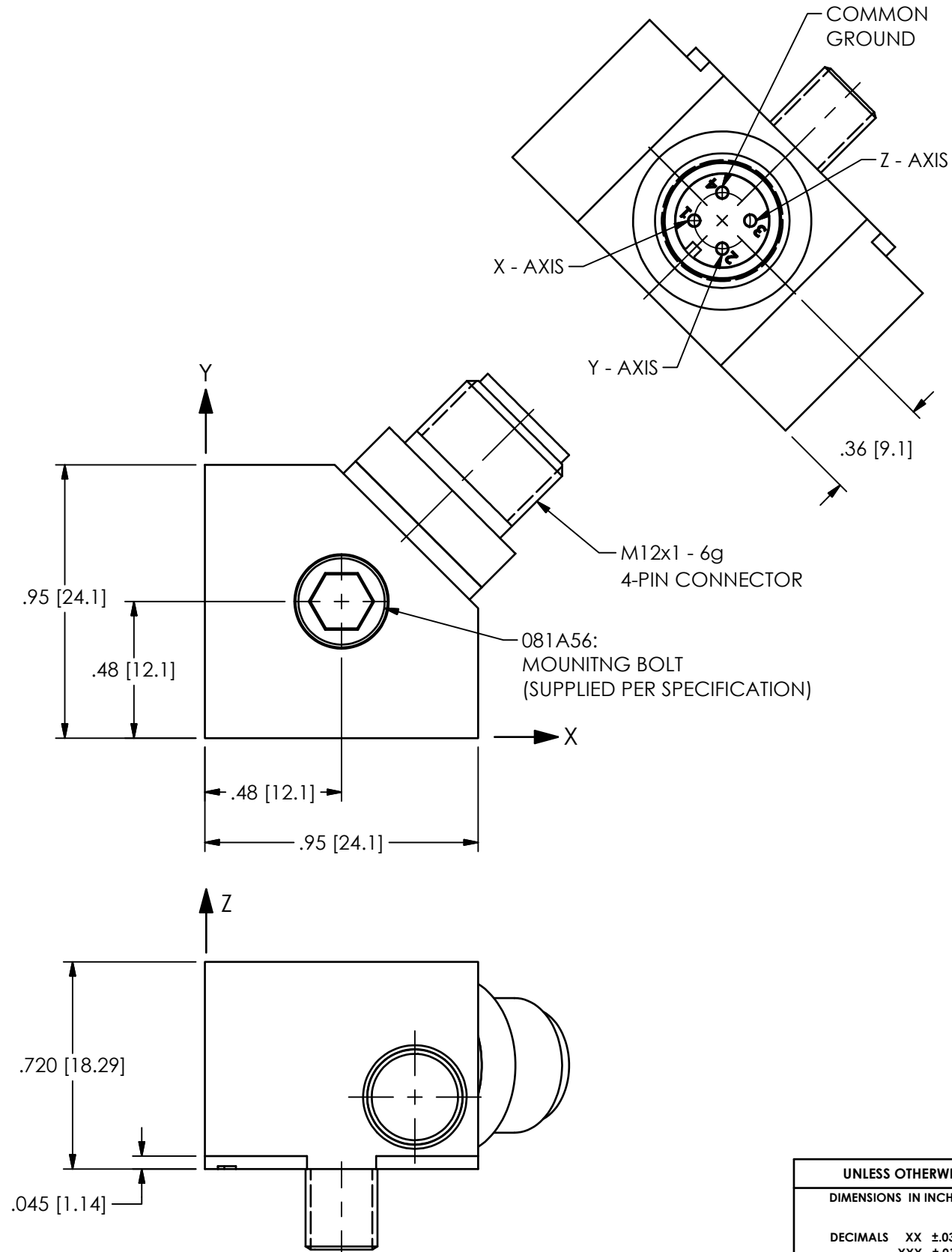


PCB Piezotronics Inc. claims proprietary rights in the information disclosed hereon. Neither it nor any reproduction thereof will be disclosed to others without the written consent of PCB Piezotronics Inc.

64204

REVISIONS

| REV | DESCRIPTION | DIN |
|-----|----------------------|-------|
| NR | RELEASED TO DRAFTING | 46924 |



Vertrieb für Österreich:

www.nbn.at

nbn Elektronik Handelsgesellschaft m.b.H.
Riesstraße 146, 8010 Graz | Tel. +43 316 4028 05 | Fax +43 316 4025 06



| UNLESS OTHERWISE SPECIFIED TOLERANCES ARE: | | DRAWN | | CHECKED | | ENGINEER | |
|--|---|---|---------|---------|---------|----------|---------|
| DIMENSIONS IN INCHES | DIMENSIONS IN MILLIMETERS [IN BRACKETS] | JDM | 6/20/17 | JDM | 6/20/17 | JJD | 6/20/17 |
| DECIMALS XX ±.03 XXX ±.010 | DECIMALS X ±0.8 XX ±0.25 | TITLE OUTLINE DRAWING MODEL 639A91 TRIAx | | | | | |
| ANGLES ± 2 DEGREES | ANGLES ± 2 DEGREES | | | | | | |
| FILLETS AND RADII .003 - .005 | FILLETS AND RADII 0.07 - 0.13 | | | | | | |



3425 WALDEN AVE. DEPEW, NY 14043
(716) 684-0001 E-MAIL: sales@pcb.com

| | |
|--------------------------|-------------------|
| CODE IDENT. NO. 52681 | DWG. NO. 64204 |
| SCALE: 2X | SHEET 1 OF 1 |