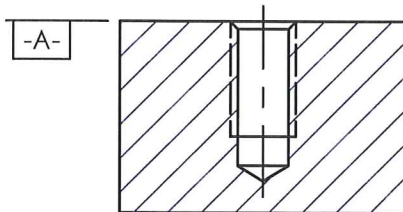
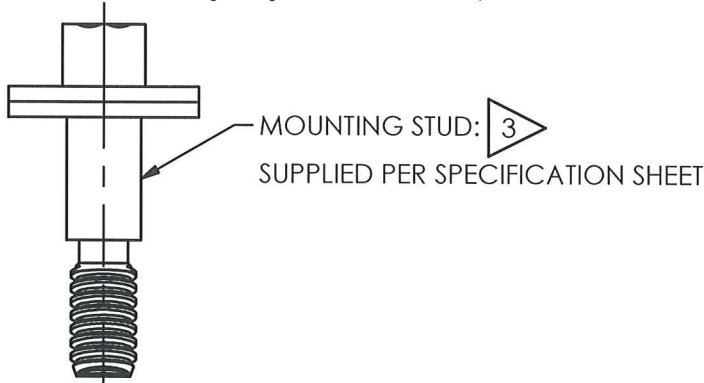
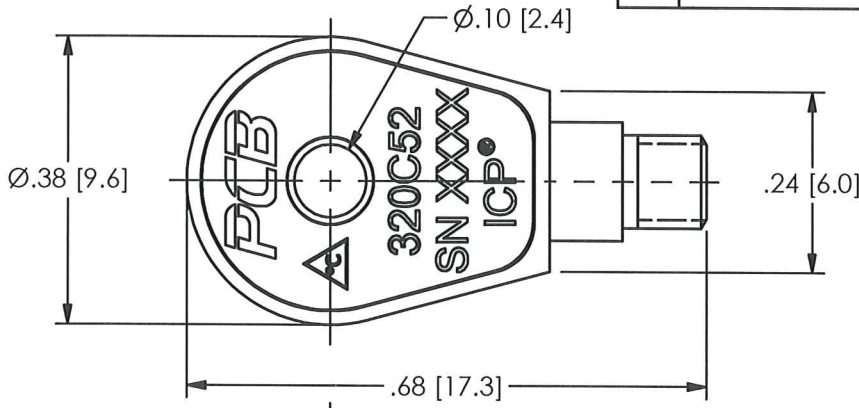


PCB Piezotronics Inc. claims proprietary rights in the information disclosed hereon. Neither it nor any reproduction thereof will be disclosed to others without the written consent of PCB Piezotronics Inc.

REVISIONS		
REV	DESCRIPTION	DIN
NR	RELEASED TO DRAFTING	35324

49577



**MOUNTING HOLE PREPARATION** 1 2

**STANDARD THREAD:**

Ø.070 [1.78]  $\nabla$ .188 [4.78] MIN  
2-56 UNC-2B  $\nabla$ .150 [3.81] MIN

**METRIC THREAD:**

Ø.063 [1.58]  $\nabla$ .188 [4.78] MIN  
M2 X 0.4-6H  $\nabla$ .150 [3.81] MIN

- 3 RECOMMENDED MOUNTING TORQUE 1 TO 2 INCH POUNDS [.12 TO .23 NEWTON METERS].
- 2 MOUNTING SURFACE SHOULD BE FLAT TO WITHIN .001 [.03] TIR OVER Ø.375 [9.53] WITH A MINIMUM 63 [1.6] FINISH FOR BEST RESULTS.
- 1 DRILL PERPENDICULAR TO -A- TO WITHIN  $\pm .1^\circ$

UNLESS OTHERWISE SPECIFIED TOLERANCES ARE:		DRAWN	CHECKED	ENGINEER	 3425 WALDEN AVE. DEPEW, NY 14043 (716) 684-0001 E-MAIL: sales@pcb.com
DIMENSIONS IN INCHES	DIMENSIONS IN MILLIMETERS [IN BRACKETS]	MDF 3/23/11	ECB 3/24/11	3/23/11	
DECIMALS XX $\pm$ .01 XXX $\pm$ .005	DECIMALS X $\pm$ 0.3 XX $\pm$ 0.13	TITLE			
ANGLES $\pm$ 2 DEGREES	ANGLES $\pm$ 2 DEGREES	INSTALLATION DRAWING MODEL 320C52 RING ACCELEROMETER			
FILLETS AND RADII .003 - .005	FILLETS AND RADII 0.07 - 0.13	CODE IDENT. NO. 52681		DWG. NO. 49577	SCALE: 4X
				SHEET 1 OF 1	

Vertrieb für Österreich:

www.nbn.at

nbn Elektronik Handelsgesellschaft m.b.H.  
Riesstraße 146, 8010 Graz | Tel. +43 316 40 28 05 | Fax +43 316 40 25 06

