



Model 354A04 / 354A05

CASE ISOLATED TRIAxIAL ICP® ACCELEROMETERS WITH TEDS

- Case isolated housing
- TEDS 1.0, IEEE 1451.4
- Rugged and durable
 - Hermetically sealed titanium housing
 - Allows use in vacuum environments
- Easy installation
 - Thru-hole mount w/ supplied mounting screw
 - No need for special isolation accessories



Model 354A04 and 354A05 are case isolated for mounting directly on test item

Models 354A04 and 354A05 are case isolated triaxial ICP® accelerometers that are TEDS IEEE 1451.4 enabled. They are hermetically sealed and packaged in a titanium housing that weighs 0.51 ounces (14.5 grams). The sensors have a side-mounted ¼-28 four pin connector and are thru-hole mounted with a supplied screw. Both models are TEDS IEEE 1451.4 enabled for easy tracking and record keeping, containing manufacturer, model number, serial number, calibration date, sensitivity, frequency range and measurement ID.

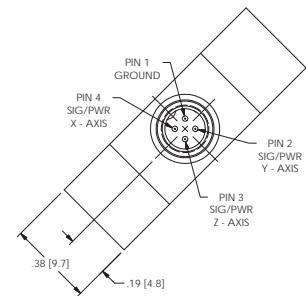
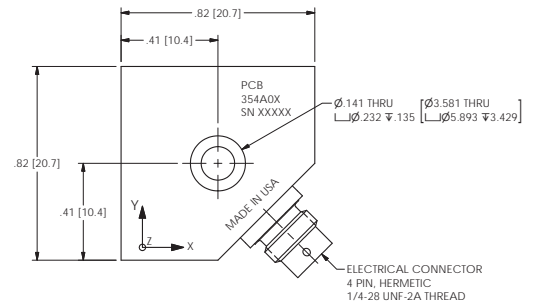
Typical Applications

- Flight and ground vibration testing
- Vibration measurements in the presence of electrical noise
- Environmental stress screening
- Modal and structural analysis

CE

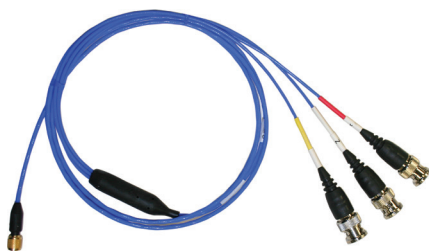


SPECIFICATIONS				
Model	354A04		354A05	
	English:	SI:	English:	SI:
Performance				
Sensitivity (±5%)	10 mV/g	1.02 mV/(m/s ²)	100 mV/g	10.2 mV/(m/s ²)
Measurement Range	±500 g pk	±4,905 m/s ² pk	±50 g pk	±491 m/s ² pk
Frequency Range (±5 %)	.4 to 5,000 Hz	.4 to 5,000 Hz	.4 to 5,000 Hz	.4 to 5,000 Hz
Resonant Frequency	≥25 kHz	≥25 kHz	≥25 kHz	≥25 kHz
Broadband Resolution (1 to 10000 Hz)	.0005 g rms	.005 m/s ² rms	0.0003 g rms	0.003 m/s ² rms
Non-Linearity	≤1 %	≤1 %	≤1 %	≤1 %
Transverse Sensitivity	≤5 %	≤5 %	≤5 %	≤5 %
Environmental				
Overload Limit (Shock)	±5,000 g pk	±49,050 m/s ² pk	±5,000 g pk	±49,050 m/s ² pk
Temperature Range (Operating)	-65 to 200 °F	-54 to 93 °C	-65 to 200 °F	-54 to 93 °C
Base Strain Sensitivity	.004 g/μϵ	.04 (m/s ²)/μϵ	.003 g/μϵ	.03 (m/s ²)/μϵ
Electrical				
Excitation Voltage	24 to 30 VDC	24 to 30 VDC	24 to 30 VDC	24 to 30 VDC
Constant Current Excitation	2 to 20 mA	2 to 20 mA	2 to 20 mA	2 to 20 mA
Output Impedance	≤100 Ohm	≤100 Ohm	≤100 Ohm	≤100 Ohm
Output Bias Voltage	8 to 12 VDC	8 to 12 VDC	8 to 12 VDC	8 to 12 VDC
Electrical Isolation (Case)	>10 ⁸ Ohm	>10 ⁸ Ohm	>10 ⁸ Ohm	>10 ⁸ Ohm
Physical				
Sensing Element	Ceramic	Ceramic	Ceramic	Ceramic
Sensing Geometry	Shear	Shear	Shear	Shear
Housing Material	Titanium	Titanium	Titanium	Titanium
Sealing	Hermetic	Hermetic	Hermetic	Hermetic
Weight	0.51 oz	14.5 gm	0.51 oz	14.5 gm
Electrical Connector	1/4-28 4-Pin	1/4-28 4-Pin	1/4-28 4-Pin	1/4-28 4-Pin
Mounting Screw	6-32	6-32	6-32	6-32



354A04 and 354A05 are thru-hole mount sensors. They are supplied with a mounting screw, Model 081A105.

RECOMMENDED CABLES:



Model 010G10



Model 078G10



3425 Walden Avenue, Depew, NY 14043-2495 USA

Toll-Free in the USA: 800.828.8840 | 24-hour SensorLineSM: 716.684.0001

Fax: 716.684.0987 | Email: info@pcb.com

| VISIT US AT WWW.PCB.COM |

PCB® is a designer and manufacturer of microphones, vibration, pressure, force, torque, load, and strain sensors, as well as the pioneer of ICP® technology used by design engineers and predictive maintenance professionals worldwide for test, measurement, monitoring, and control requirements in automotive, aerospace, industrial, R&D, military, educational, commercial, OEM applications, and more. With a worldwide customer support team, 24-hour SensorLineSM, and a global distribution network **PCB® IS COMMITTED TO TOTAL CUSTOMER SATISFACTION.**

© 2017 PCB Piezotronics, Inc. In the interest of constant product improvement, specifications are subject to change without notice. PCB®, Swiveler®, Modally Tuned®, and IMI® with associated logo are registered trademarks of PCB Piezotronics, Inc. in the United States. ICP® is a registered trademark of PCB Piezotronics Europe GmbH in Germany and other countries. SensorLineSM is a service mark of PCB Piezotronics, Inc. PCB Piezotronics, Inc. was acquired by MTS Systems Corporation in 2016 and merged with its sensors division - MTS Sensors. AD-354A04-0617

Vertrieb für Österreich:

www.nbn.at

nbn Elektronik Handelsgesellschaft m.b.H.

Riesstraße 146, 8010 Graz | Tel. +43 316 40 28 05 | Fax +43 316 40 25 06

