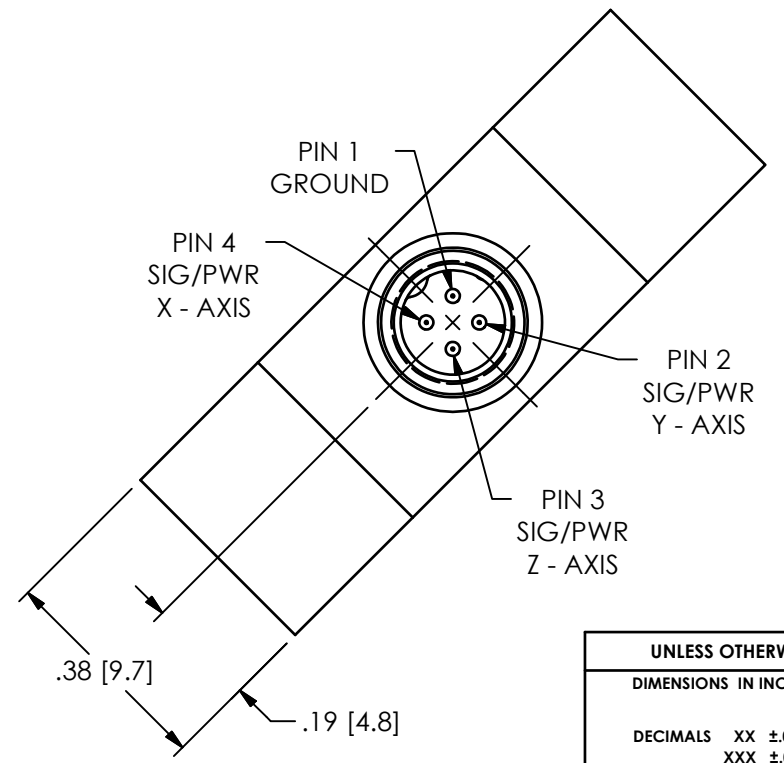
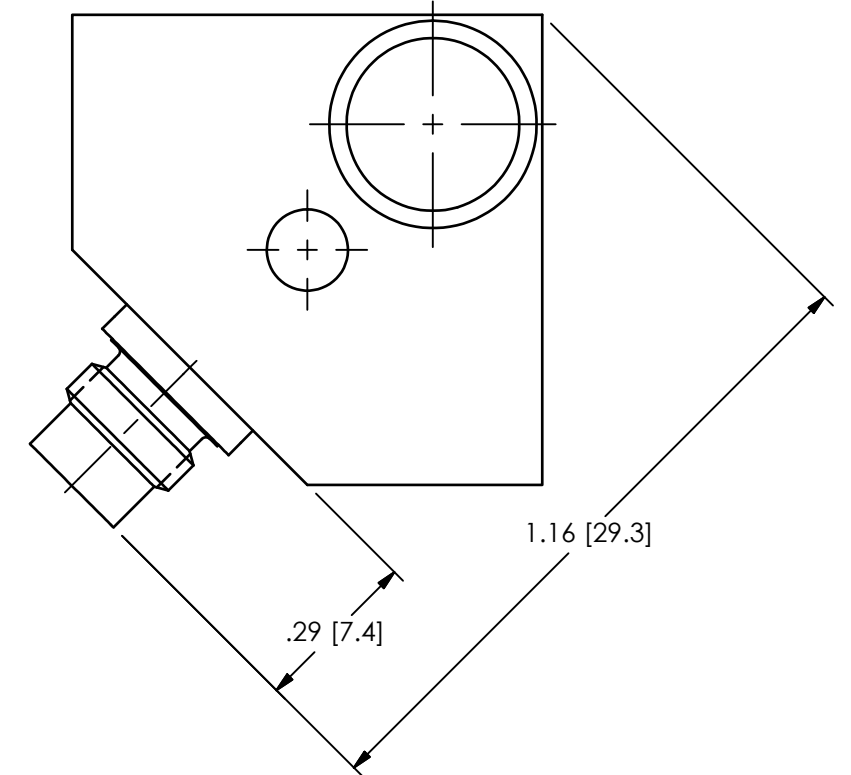
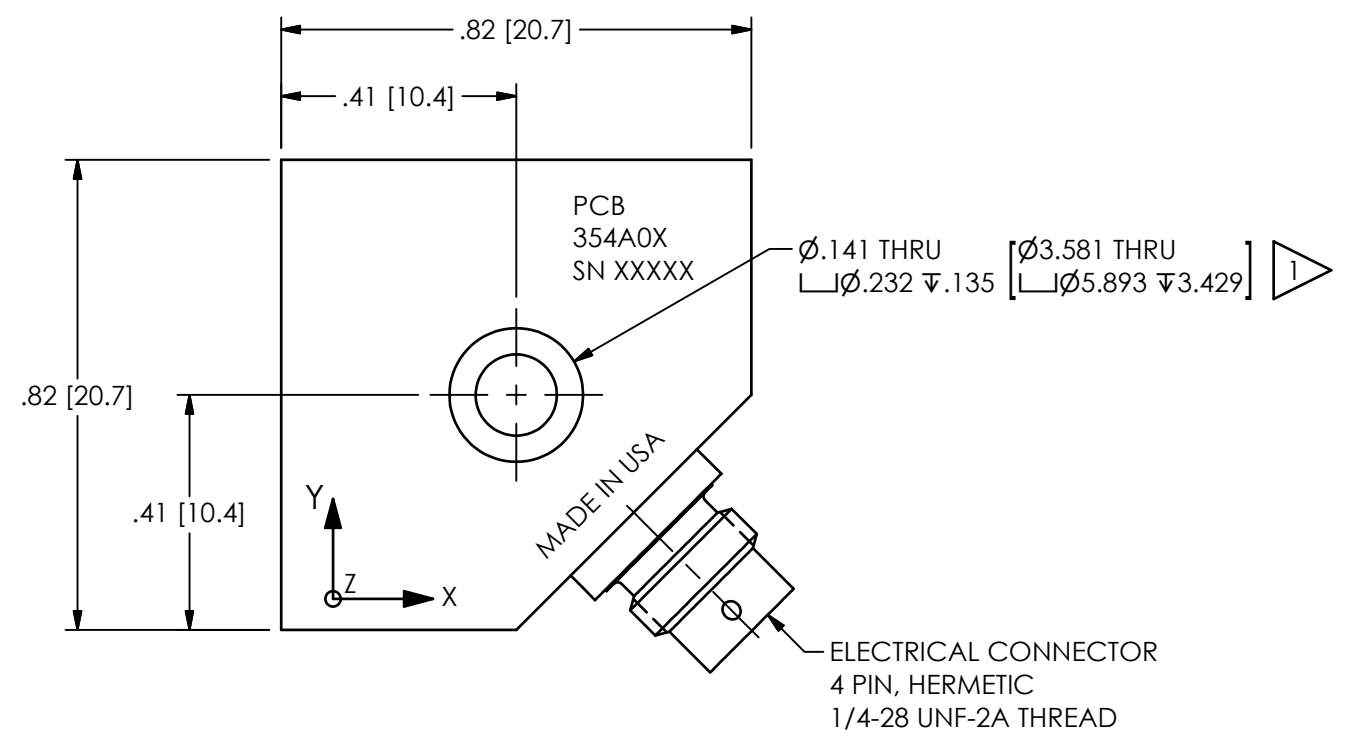


PCB Piezotronics Inc. claims proprietary rights in the information disclosed herein. Neither it nor any reproduction thereof will be disclosed to others without the written consent of PCB Piezotronics Inc.

REVISIONS		
REV	DESCRIPTION	DIN
NR	RELEASED TO DRAFTING	46819

66280



1 6-32 MOUNTING CAP SCREW INCLUDED (081A105)

UNLESS OTHERWISE SPECIFIED TOLERANCES ARE:		DRAWN		CHECKED		ENGINEER					
DIMENSIONS IN INCHES	DIMENSIONS IN MILLIMETERS [IN BRACKETS]	JDM	5/18/17	JDM	5/18/17	JJD	5/18/17				
DECIMALS XX ±.03 XXX ±.010	DECIMALS X ± 0.8 XX ± 0.25	TITLE OUTLINE DRAWING MODEL 354A0X									
ANGLES ± 2 DEGREES	ANGLES ± 2 DEGREES										
FILLETS AND RADII .003 - .005	FILLETS AND RADII 0.07 - 0.13	<table border="1"> <tr> <td>CODE IDENT. NO. 52681</td> <td>DWG. NO. 66280</td> </tr> <tr> <td>SCALE: 3X</td> <td>SHEET 1 OF 1</td> </tr> </table>						CODE IDENT. NO. 52681	DWG. NO. 66280	SCALE: 3X	SHEET 1 OF 1
CODE IDENT. NO. 52681	DWG. NO. 66280										
SCALE: 3X	SHEET 1 OF 1										

PCB PIEZOTRONICS™
3425 WALDEN AVE. DEPEW, NY 14043
(716) 684-0001 E-MAIL: sales@pcb.com