

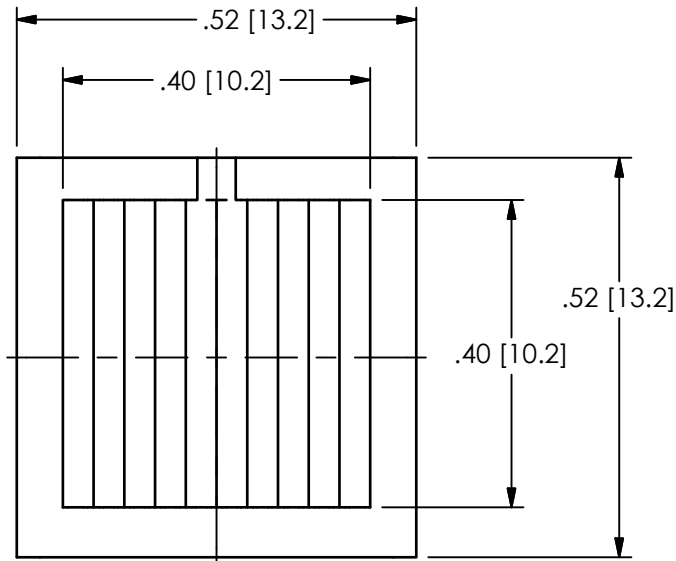
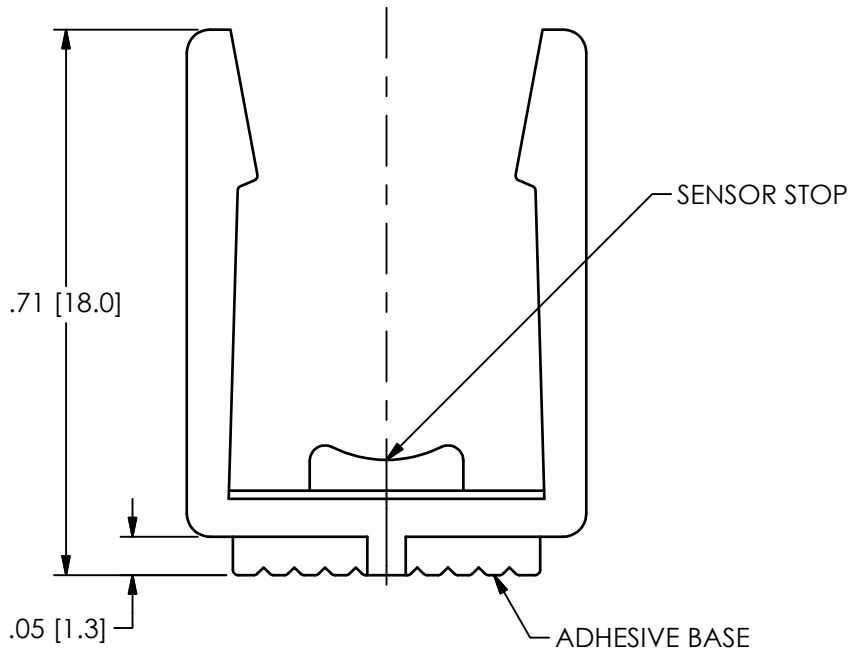
2

1

PCB Piezotronics Inc. claims proprietary rights in the information disclosed hereon. Neither it nor any reproduction thereof will be disclosed to others without the written consent of PCB Piezotronics Inc.


REVISIONS		
REV	DESCRIPTION	DIN
A	REVISED TITLE BLOCK	48703

69192



2.) TYPICAL FREQUENCY RESPONSE: 2.5kHz

1.) MAX TEMP: 302°F [150°C]

UNLESS OTHERWISE SPECIFIED TOLERANCES ARE:		DRAWN		CHECKED		ENGINEER		 3425 WALDEN AVE. DEPEW, NY 14043 (716) 684-0001 E-MAIL: sales@pcb.com	
DIMENSIONS IN INCHES	DIMENSIONS IN MILLIMETERS [IN BRACKETS]	KRM	9/20/18	KRM	9/20/18	BAM	9/20/18		CODE IDENT. NO. 52681 DWG. NO. 69192
DECIMALS XX ±.03 XXX ±.010 ANGLES ± 2 DEGREES	DECIMALS X ± 0.8 XX ± 0.25 ANGLES ± 2 DEGREES	TITLE OUTLINE DRAWING MODEL 080A237 .40 IN MOUNTING CLIP							SCALE: 4X SHEET 1 OF 1
FILLETS AND RADII .003 - .005	FILLETS AND RADII 0.07 - 0.13								

2

1

Aufgrund laufender Weiterentwicklungen sind Änderungen der Spezifikationen vorbehalten. Alle Angaben vorbehaltlich Satz- und Druckfehler.

v190221