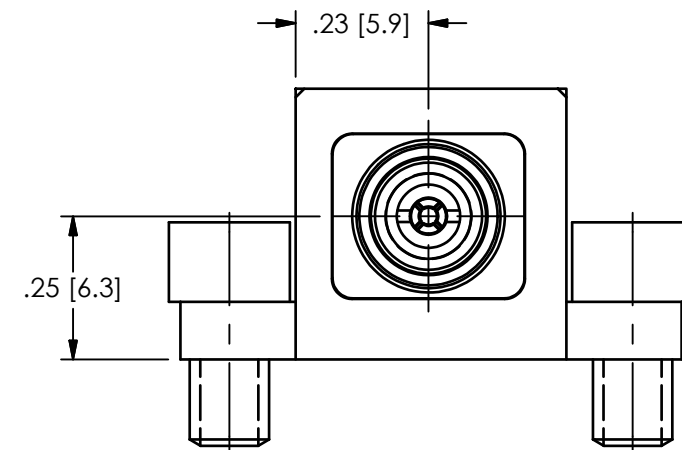
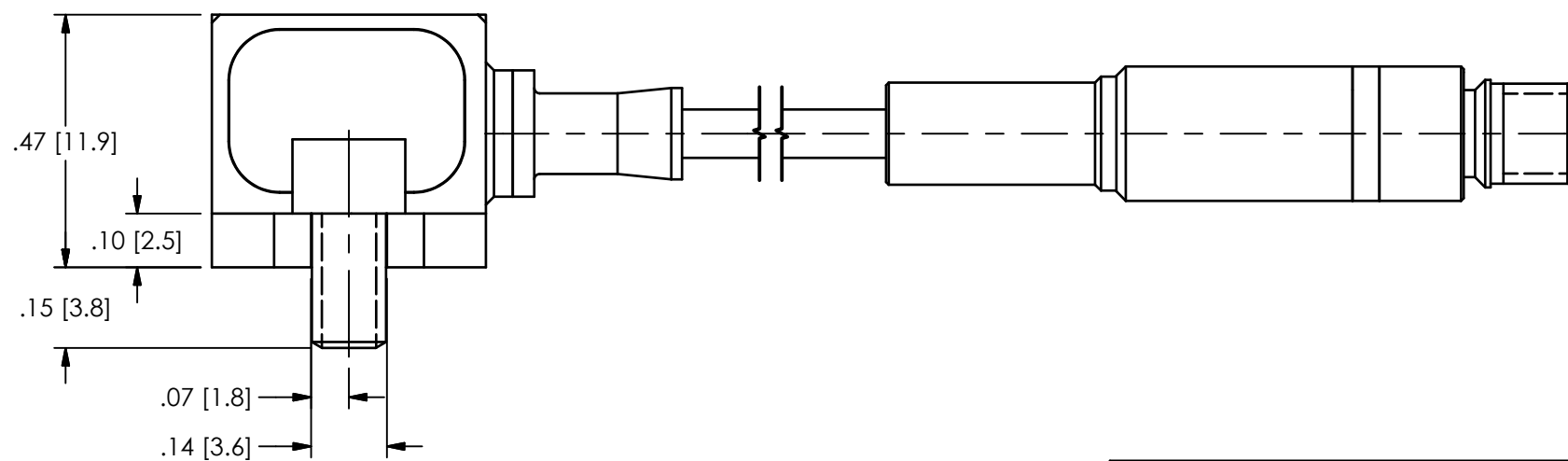
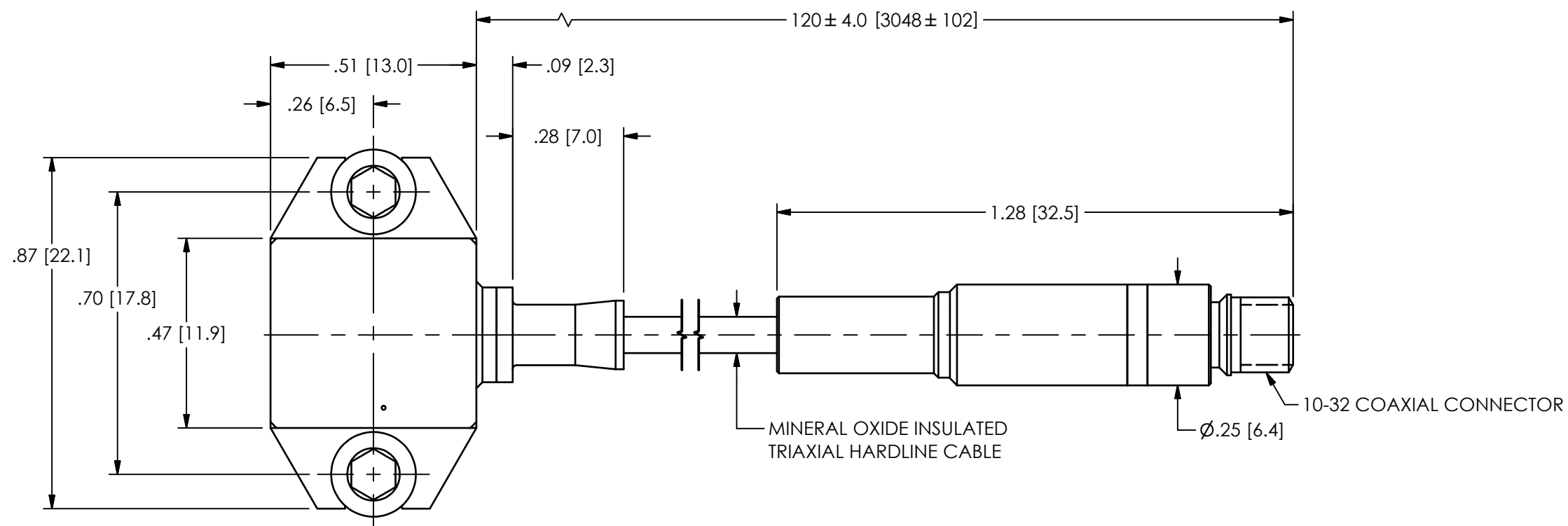


PCB Piezotronics Inc. claims proprietary rights in the information disclosed hereon. Neither it nor any reproduction thereof will be disclosed to others without the written consent of PCB Piezotronics Inc.

69015

REVISIONS		
REV	DESCRIPTION	DIN
NR	RELEASED TO DRAFTING	47943



1.) CABLE MINIMUM BEND RADIUS .25 [6.35]

UNLESS OTHERWISE SPECIFIED TOLERANCES ARE:		DRAWN		CHECKED		ENGINEER		 3425 WALDEN AVE. DEPEW, NY 14043 (716) 684-0001 E-MAIL: sales@pcb.com	
DIMENSIONS IN INCHES	DIMENSIONS IN MILLIMETERS [IN BRACKETS]	KRM	3/21/18	KRM	3/21/18	JJD	3/21/18		
DECIMALS XX ±.03 XXX ±.010	DECIMALS X ±0.8 XX ±0.25	TITLE OUTLINE DRAWING MODEL 357A64 > 1 pC/g ACCELEROMETER						CODE IDENT. NO. 52681	DWG. NO. 69015
ANGLES ± 2 DEGREES	ANGLES ± 2 DEGREES							SCALE: 3X	SHEET 1 OF 1
FILLETS AND RADII .003 - .005	FILLETS AND RADII 0.07 - 0.13								