

P/N: 66601-0101

Copyright

© 2017, FLIR Systems, Inc.

All rights reserved worldwide. Names and marks appearing herein are either registered trademarks or trademarks of FLIR Systems and/or its subsidiaries. All other trademarks, trade names or company names referenced herein are used for identification only and are the property of their respective owners.

Document identity

Publ. No.: 66601-0101

Release:

Commit: 43497

Language: en-US

Modified: 2017-06-26

Formatted: 2017-09-14

Website

<http://www.flir.com>

Customer support

<http://support.flir.com>

Disclaimer

Specifications subject to change without further notice. Camera models and accessories subject to regional market considerations. License procedures may apply. Products described herein may be subject to US Export Regulations. Please refer to exportquestions@flir.com with any questions.



Detector/image	
Detector type	Focal plane array (FPA)
Sensor material	MCT
IR resolution	640 × 512
Detector pitch	15 µm
f-number	f/3
Optical interface	USL bayonet
Lens identification	Automatic
Windowing	320 × 256/160 × 128
Arbitrary size windowing (down to)	132 × 8
Arbitrary size windowing (steps)	Horizontal: ≥132, steps of 4 pixels Vertical: ≥8, steps of 1 pixel
Maximum image frequency (full frame)	146 Hz
Maximum image frequency	3690 Hz
Maximum frame rate ¹	146 Hz @ 640 × 512/IWR 528 Hz @ 320 × 256/ IWR 1510 Hz @ 160 × 128/IWR 3699 Hz @ 132 × 8/IWR
Integration time range	80 ns–20 000 µs
Integration time step	80 ns
Integration time mode	IWR/ITR
Digital output	GigE/Camlink base
Cooler type	Closed-cycle (rotary) Stirling cooler
Cooling temperature	80 K
Operability	>99%
Physical data	
Size (L × W × H)	233 mm × 150 mm × 178 mm (9.17" × 5.91" × 7.01") (without LCD) 233 mm × 150 mm × 178 mm (9.17" × 5.91" × 8.71") (with LCD)
Weight without lens	4.350 kg (9.590 lb.) without LCD 4.800 kg (10.580 lb.) with LCD
Tripod mounting	UNC ¼"-20

1. Some cameras also have a minimum frame rate, unspecified. Contact your FLIR representative for more information.



FLIR X6530sc

P/N: 66601-0101

© 2017, FLIR Systems, Inc.

#66601-0101; r. /43497; en-US

Power system	
Power supply	24 V DC
Power consumption (cooldown/stab)	48 W/35 W
Environmental data	
Operating temperature range	-20°C/+50°C (-4°F/122°F) (-4°F/122°F)
Shock	Operational 25g, IEC 68-2-29
Vibration	Operational 2g, IEC 68-2-26
Encapsulation	IP 54 (IEC 60529)
Radiometry/measurement	
Spectral range	1.5–5.5 μm
Thermal sensitivity/NETD	<25 mK (18 mK typical)
CNUCTM/HypercalTM	Yes
CLUT/extended linear response	No
Temperature measurement accuracy	$\pm 1^\circ\text{C}$ (1.8°F) or $\pm 1\%$
Maximum temperature without filter	150°C (302°F) (302°F)
Well capacity (e-)	6.36 Me- (ITR) 4.99 Me- (IWR)
Filter wheel	4 slots for 1" filter up to 2.5 mm thick
Filter holding	Screw-in holder
Timings and signals	
SYNC IN	TTL, singled ended, BNC >300 ns pulse width
SYNC IN jitter	20 ns
SYNC IN active edge	Falling or rising edge
Delay between SYNC IN and integration	
Delay between SYNC IN and top frame	
Analog signals	1 \times (0/+10 V), BNC
TRIGGER IN	TTL, singled ended, BNC >300 ns pulse width
Video output	DVI 1080p30
Waveform generator	Sinus/triangle/square TTL 0–5 V Frequency: 0.001 Hz to 250 kHz
Ethernet	
GigE Vision	Yes
Camera link	
Connector type	1 \times Mini MDR26
Tap number	1 (A/B)
Bit depth	16 bpp
Radio	
Wi-Fi	Standard: 802.11 b/g
	Frequency range: 2412–2462 MHz
	Maximum output power: 15 dBm
Antenna	Internal



FLIR X6530sc

P/N: 66601-0101

© 2017, FLIR Systems, Inc.

#66601-0101; r. /43497; en-US

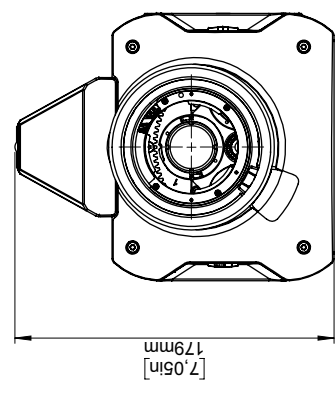
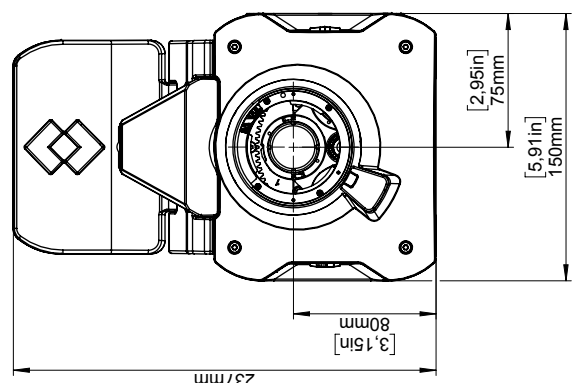
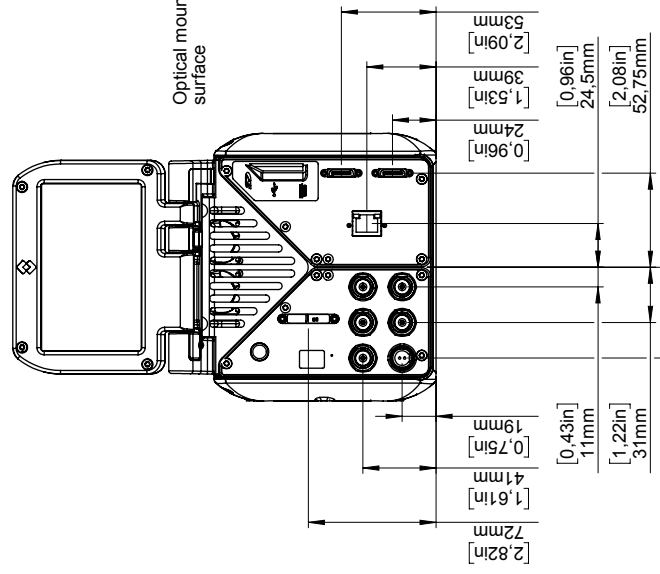
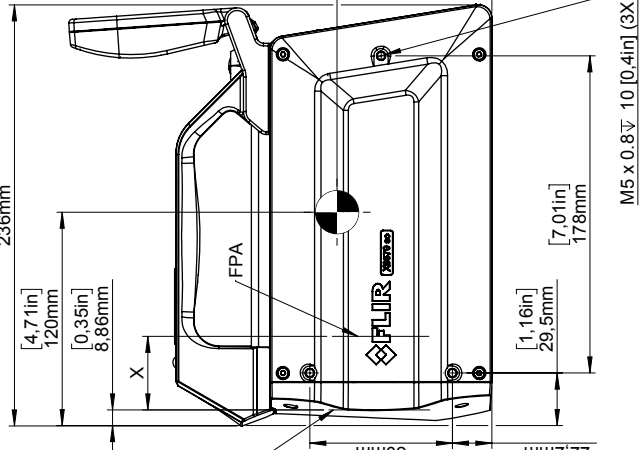
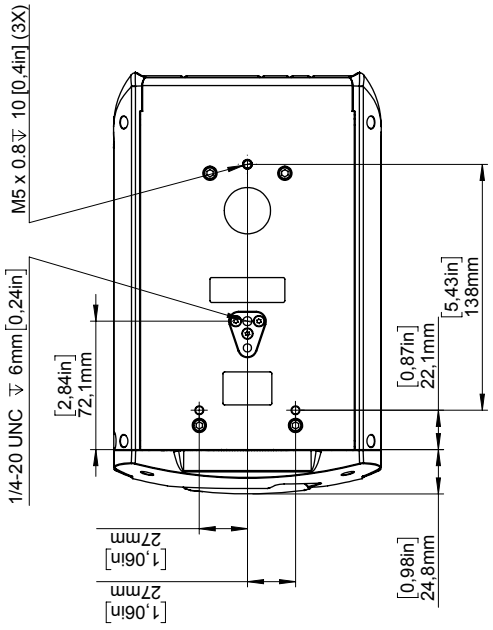
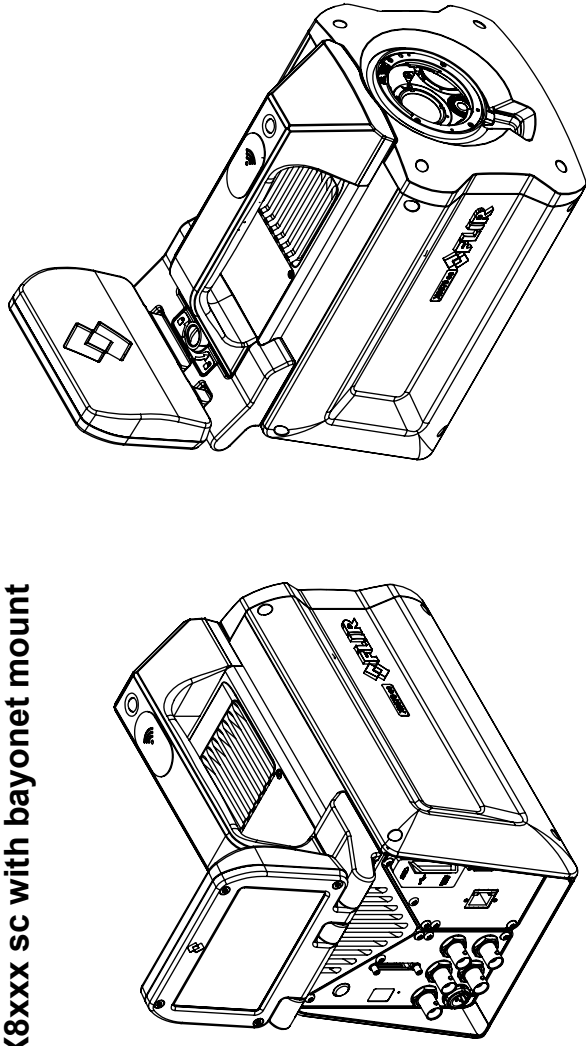
Shipping information	
Packaging, type	
Packaging, weight	
Packaging, size	
EAN-13	7332558008072
UPC-12	845188008420
Country of origin	Sweden

Lenses	
Available optic 1	L1009 MW 25 2.0 640 × 512
Available optic 2	L1008 MW 50 2.0 640 × 512
Available optic 3	L1019 MW 100 2.0 640 × 512
Available optic 4	L1118 MW 200 2,0 640 x 512
Available optic 5	L1114 MW Close up x3
Available optic 6	L1209 MW Close up x5
Available optic 7	L1202 MW Close up x1 wd 30cm
Available optic 8	
Available optic 9	
Available optic 10	
Available optic 11	
Available optic 12	
Available optic 13	

Supplies & accessories:

- T199084; Lens BB 100mm F/3 Bayonet (L1207)
- T199057; Lens BB 200mm F/3 Bayonet (L1208)
- T199080; Lens BB 27mm F/3 Bayonet (L1205)
- T199082; Lens BB 50mm F/3 Bayonet (L1206)
- T198970; Lens MW 1x f/3.0 WD30
- T128379ACC; FLIR Platinum SDK

X6/X8xxx sc with bayonet mount



With display removed

Model name	X	Weight
X6520sc	41.28 mm [1.625 in]	4800 g ± 5 %
X6530sc	41.28 mm [1.625 in]	4800 g ± 5 %
X6540sc	41.28 mm [1.625 in]	4800 g ± 5 %
X6550sc	41.28 mm [1.625 in]	4800 g ± 5 %
X6580sc	41.28 mm [1.625 in]	4800 g ± 5 %
X8400sc	47.90 mm [1.886 in]	5100 g ± 5 %

Modified: 2017-02-07

 Check: FRGU

 Drawn by: R&D Instruments

 Denomination: X6/X8xxx - Basic dimension

 Size: A3

 Scale: 1:3

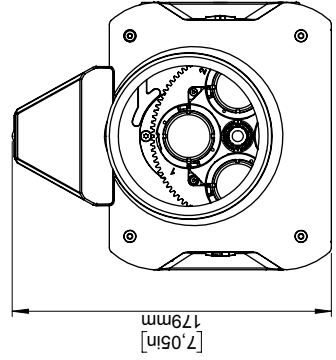
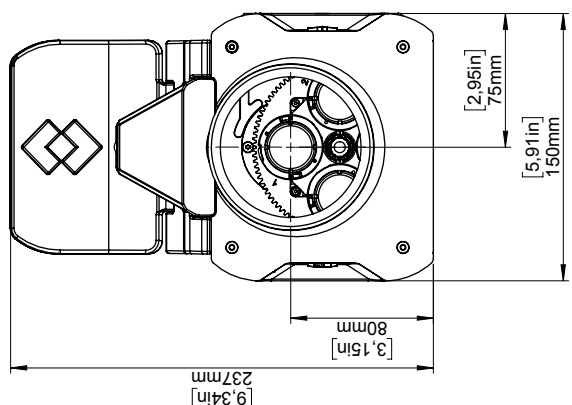
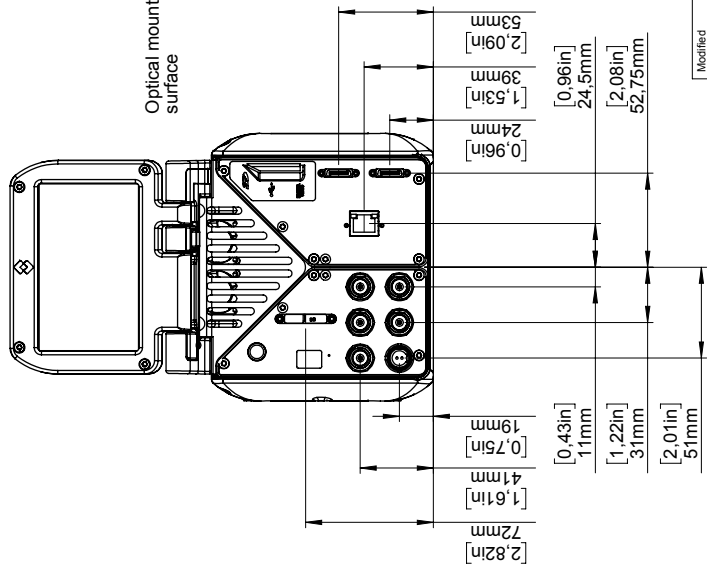
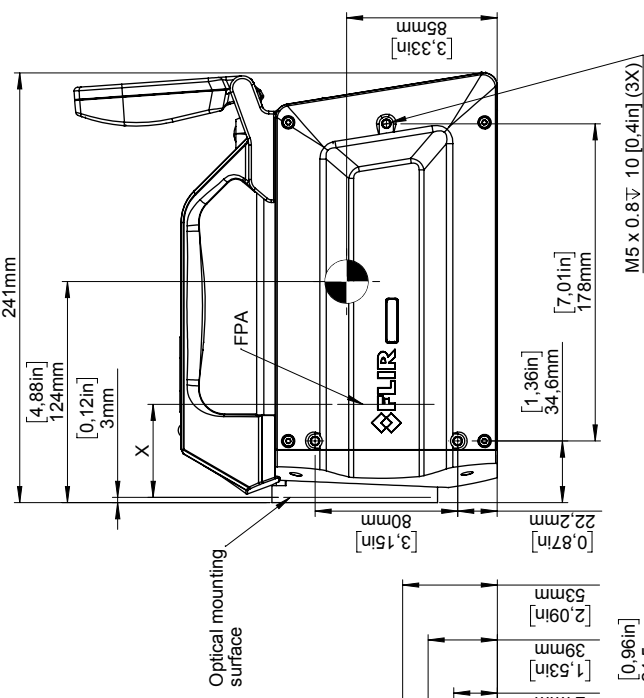
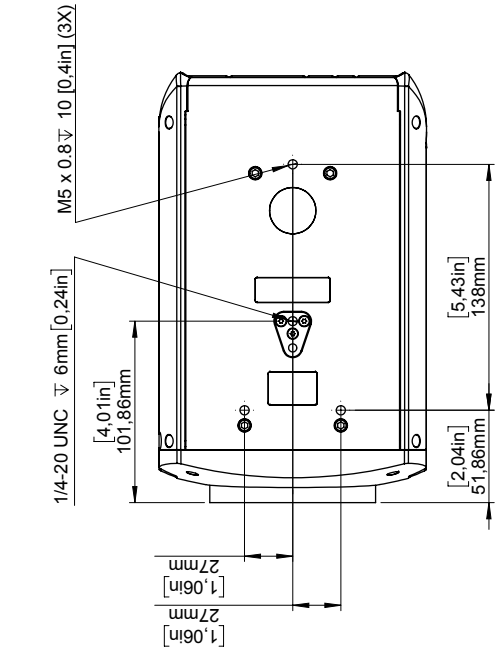
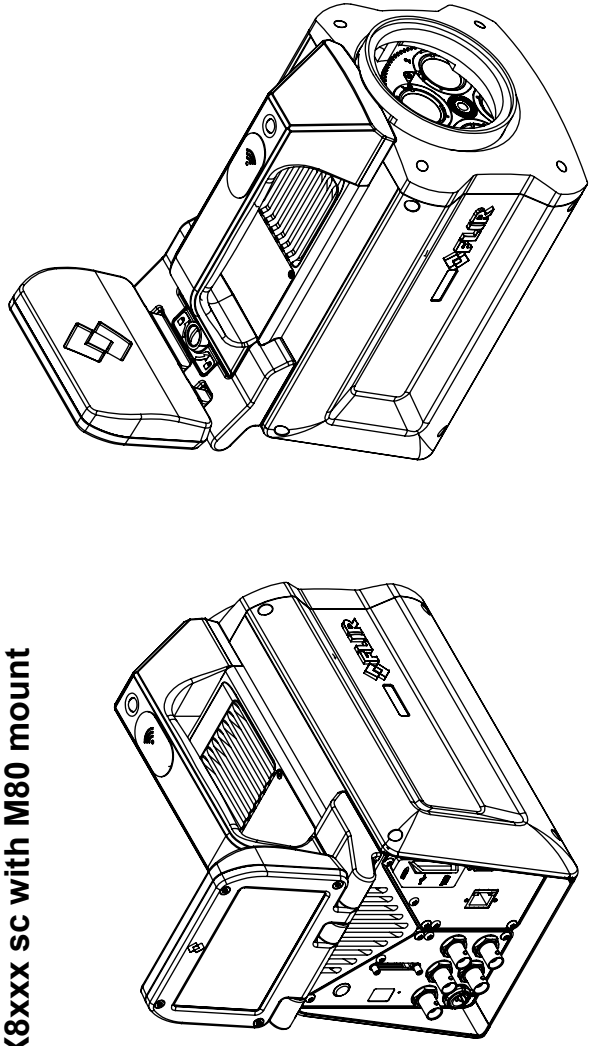
 Drawing No.: T130229

 Sheet: 1(2)

 Rev: A

© 2016, FLIR Systems, Inc. All rights reserved worldwide. No part of this drawing may be reproduced, stored in a retrieval system, or transmitted in any form, or by any means, electronic, mechanical, photocopying, recording, or otherwise, without written permission from FLIR Systems, Inc. Specifications subject to change without further notice. Dimensions are based on nominal values. Products may be subject to regional market considerations. License procedures may apply. Product may be subject to US Export Regulations. Please refer to exportquestions@flir.com with any questions. Diversion contrary to US law is prohibited.

X6/X8xxx sc with M80 mount



With display removed

Model name	X	Weight
X6520sc	52.24 mm [2.057 in]	4850 g ± 5 %
X6530sc	52.24 mm [2.057 in]	4850 g ± 5 %
X6540sc	52.24 mm [2.057 in]	4850 g ± 5 %
X6550sc	52.24 mm [2.057 in]	4850 g ± 5 %
X6570sc	52.24 mm [2.057 in]	5000 g ± 5 %
X6580sc	52.24 mm [2.057 in]	4850 g ± 5 %
X8400sc	58.86 mm [2.317 in]	5100 g ± 5 %

Modified: 2017-02-07
 Check: FRGU
 Drawn by: R&D Instruments
 Size: A3
 Scale: 1:3
 Drawing No: T130229
 Rev: A

X6/X8xxx - Basic dimension

© 2016, FLIR Systems, Inc. All rights reserved worldwide. No part of this drawing may be reproduced, stored in a retrieval system, or transmitted in any form, or by any means, electronic, mechanical, photocopying, recording, or otherwise, without written permission from FLIR Systems, Inc. Specifications subject to change without further notice. Dimensional data is based on nominal values. Products may be subject to regional market considerations. License procedures may apply. Product may be subject to US Export Regulations. Please refer to exportquestions@flir.com with any questions. Diversion contrary to US law is prohibited.