

Shake, rattle or jolt?

Measure it easily and accurately with Endevco low g DC accelerometers

The accelerometer in your cell phone can't tell you the whole story. To accurately measure motion, tilt and low frequency vibration, you need Endevco 770A and 770F DC responding accelerometers. They are a lightweight 6 grams and easy to install with adhesive (770A) and screw mount (770F) options. With a wide operating temperature range of -40C to +100C and dimensions of only 0.6 inch cube, they can be employed in almost any application.

With a 2.5V single-ended output and 0.5% linearity, the 770A and 770F offer high measurement accuracy while still retaining 10,000g shock survivability. Two power options are available, "U" for 7V to 36V and "R" for operation with a regulated 5V. With broad frequency response extending down to DC, these variable capacitance accelerometers are ideal for measuring transportation motion and vibration of structures. See Endevco 773 for triaxial measurements.

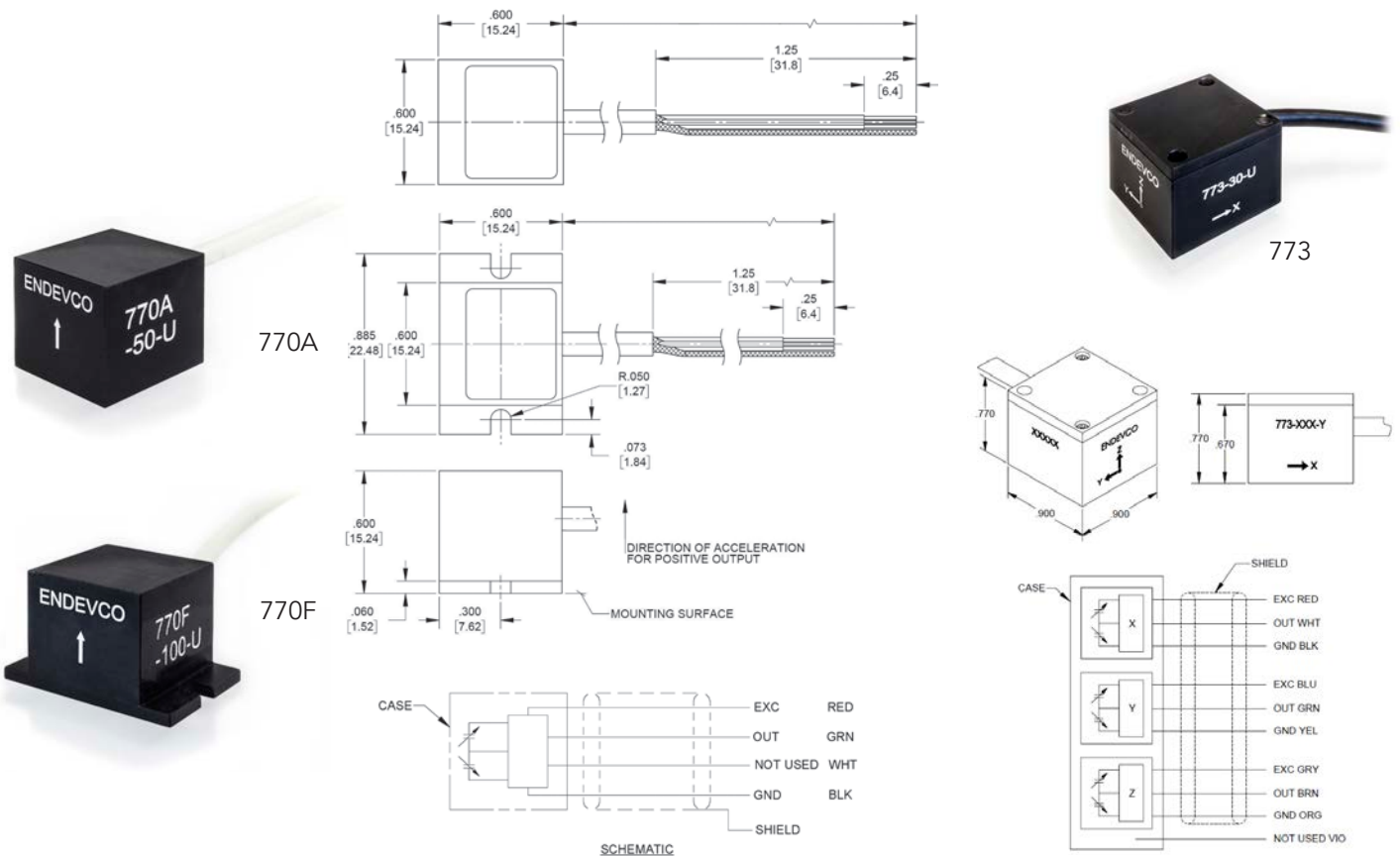
APPLICATIONS

- Automotive ride quality
- Train ride quality
- Building vibration
- Wind turbine monitoring
- Motorsports testing
- Roller coaster testing

ENDEVCO www.endevco.com Tel: +1 (866) ENDEVCO [+1 (866) 363-3826]

Piezoelectric accelerometers | Piezoresistive accelerometers | IEPE accelerometers | Variable capacitance accelerometers | Piezoresistive pressure sensors | Piezoelectric pressure sensors | High intensity microphones | Inertial sensors | Signal conditioners and supportive instrumentation | Cable assemblies

Accelerometers for motion and vibration measurements



Model number	770A-770F	773
Description	Low g DC measurement Rugged Al housing 28 AWG cable	Triaxial Low g DC Rugged Al housing Separate power & ground
Linear range g	$\pm 2 / \pm 10 / \pm 30 / \pm 50 / \pm 100 / \pm 200$	$\pm 2 / \pm 10 / \pm 30 / \pm 50 / \pm 100 / \pm 200$
Sensitivity mV/g typical	1000 / 200 / 66 / 40 / 20 / 10	1000 / 200 / 66 / 40 / 20 / 10
Frequency response $\pm 5\%$	0-200 / 0-900 / 0-900 / 0-900 / 0-1500 / 0-1500	0-200 / 0-750 / 0-750 / 0-750 / 0-1000 / 0-1000
Non linearity % FSO typical	0.5	0.5
Shock limit g	10,000	10,000
Operating temperature °C (°F)	-40 to +100 [-40 to +212]	-40 to +100 [-40 to +212]
Dimensions mm (in)	15.24 (0.6) cube (A) 15.24 x 22.88 x 15.24 (0.600 x 0.885 x 0.600) (F)	22.86 x 22.86 x 19.56 (0.900 x 0.900 x 0.770)
Weight grams	6	24
Excitation voltage Vdc	7 to 36 or 5V (R option)	7 to 36 or 5V (R option)
Mounting method	Adhesive (A); 2-56 screws (F)	4-40 screws

Check out the auto over railroad tracks shock experiment.
Search <https://youtu.be/I7-gh5tHWrU> or

SCAN ME



3425 Walden Avenue, Depew, NY 14043 USA

endevco.com | sales@endevco.com | 866 363 3826

© 2021 PCB Piezotronics - all rights reserved. PCB Piezotronics is a wholly-owned subsidiary of Amphenol Corporation. Endevco is an assumed name of PCB Piezotronics of North Carolina, Inc., which is a wholly-owned subsidiary of PCB Piezotronics, Inc. Accumetrics, Inc. and The Modal Shop, Inc. are wholly-owned subsidiaries of PCB Piezotronics, Inc. IMI Sensors and Larson Davis are Divisions of PCB Piezotronics, Inc. Except for any third party marks for which attribution is provided herein, the company names and product names used in this document may be the registered trademarks or unregistered trademarks of PCB Piezotronics, Inc., PCB Piezotronics of North Carolina, Inc. (d/b/a Endevco), The Modal Shop, Inc. or Accumetrics, Inc. Detailed trademark ownership information is available at www.pcb.com/trademarkownership.

082021

Aufgrund laufender Weiterentwicklungen sind Änderungen der Spezifikationen vorbehalten. Alle Angaben vorbehaltlich Satz- und Druckfehler.

nbn Austria GmbH

Riesstraße 146, 8010 Graz

Tel. +43 316 40 28 05 | Fax +43 316 40 25 06



nbn@nbn.at | www.nbn.at