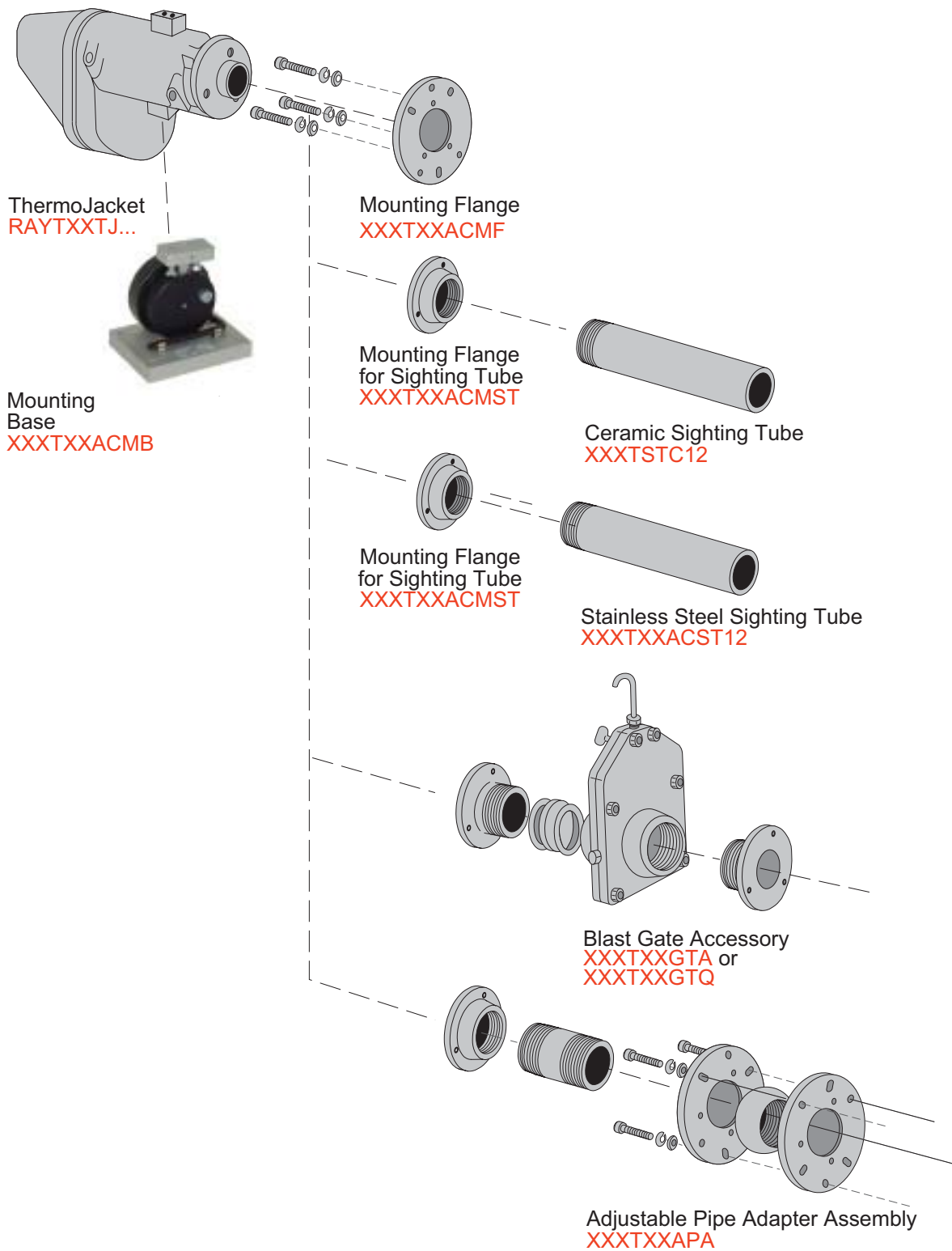




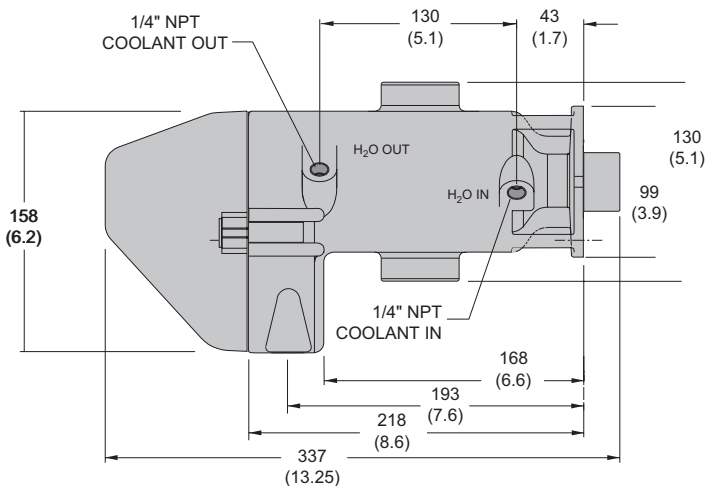
ACCA 07/01 Rev. A

	Seite
▶ ThermoJacket	2
▶ Marathon - Computer Connection	5
▶ Accessories for Fiber Optic Marathon	6
▶ Marathon FR/FA Wall Mount and Roof Mount	7
▶ Marathon FR/FA Air Purge and Sighting Tube Accessories	8
▶ Marathon FR/FA Sighting Tube and Flexible Glass Fiber Protection	9
▶ Marathon FR/FA Roofmount Accessory with Flexible Glass Fiber Protection	10
▶ Marathon FR/FA Wallmount Accessory with Flexible Glass Fiber Protection	11
▶ Sensing Head (TX, Marathon) with Modified Adjustable Pipe Adapter Assembly	12
▶ Low Flow Airpurge for TX without Water-Cooling	13
▶ Low Flow Airpurge for TX with Water-Cooling	15
▶ Mounting Flange with 2 Teflon Insulating Rings	17
▶ Dual Laser Sighting for Thermalert MID	18
▶ Thermalert MID - Air Purge for Laser Sighting Option	20
▶ Air-Cooling Accessories for MID with Conduit	22

ThermoJacket



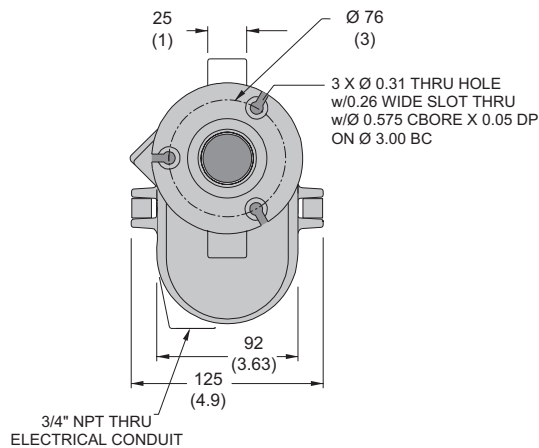
RAYTXXTJ1



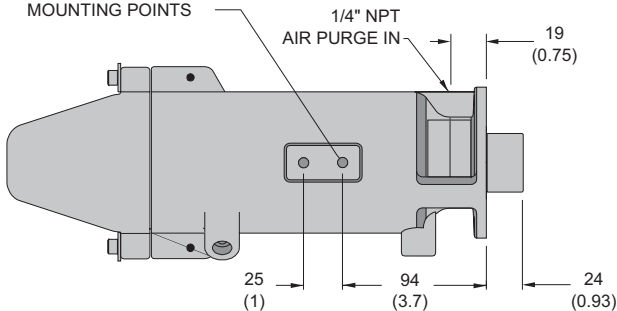
RAYTXXTJ2

RAYTXXTJ3

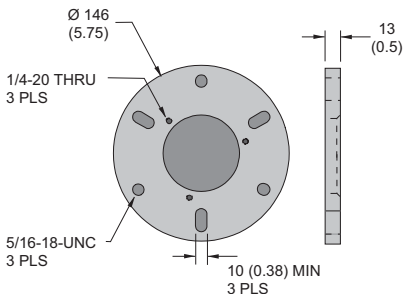
BD3TXXTJ1



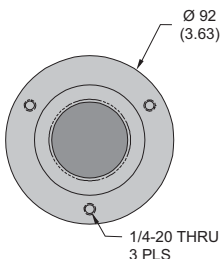
1/4" UNC X .40 DP
2 PLS EACH SIDE
ADJUSTABLE BRACKET
MOUNTING POINTS



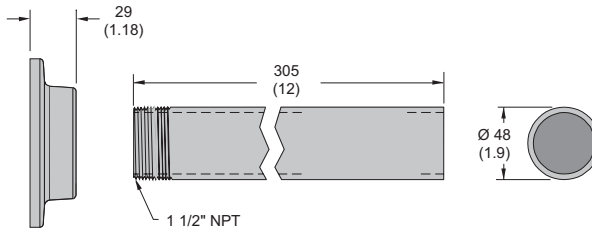
Mounting Base
XXTXXACMB



Mounting Flange
XXTXXACMF

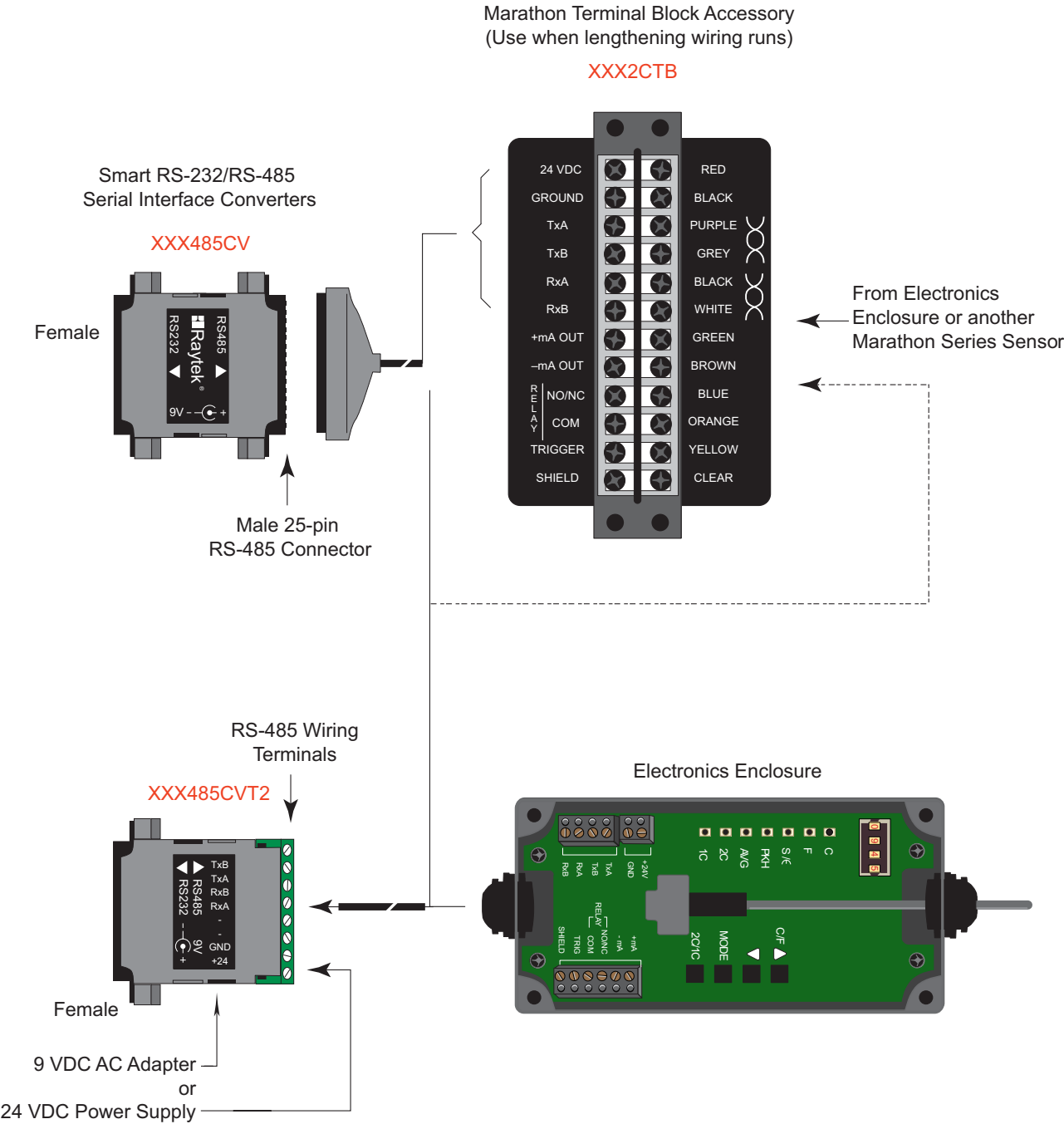


Mounting Flange for Sighting Tube
XXTXXACMST

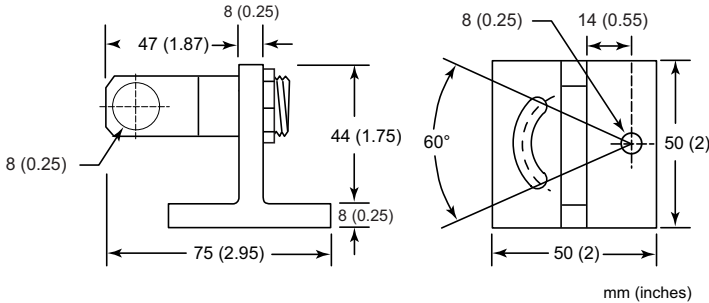


Stainless Steel Sighting Tube
XXTXXACST12
Ceramic Sighting Tube
XXTSTC12

Marathon - Computer Connection

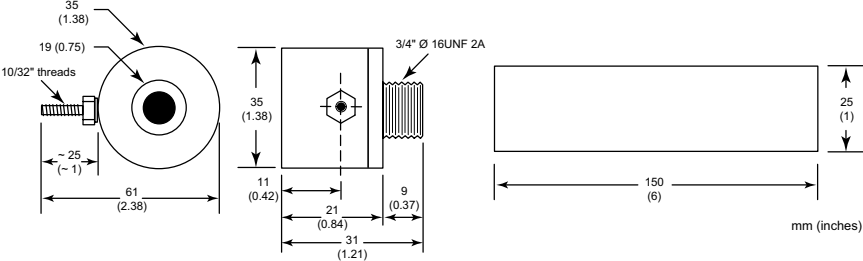


Accessories for Fiber Optic Marathon



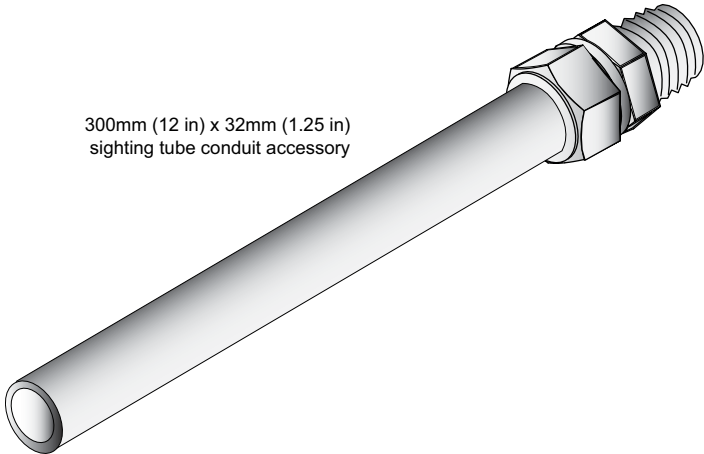
XXXFOADJB

Adjustable Mounting Bracket for Sensing Head



XXXFOHAPA

Air Purge Collar



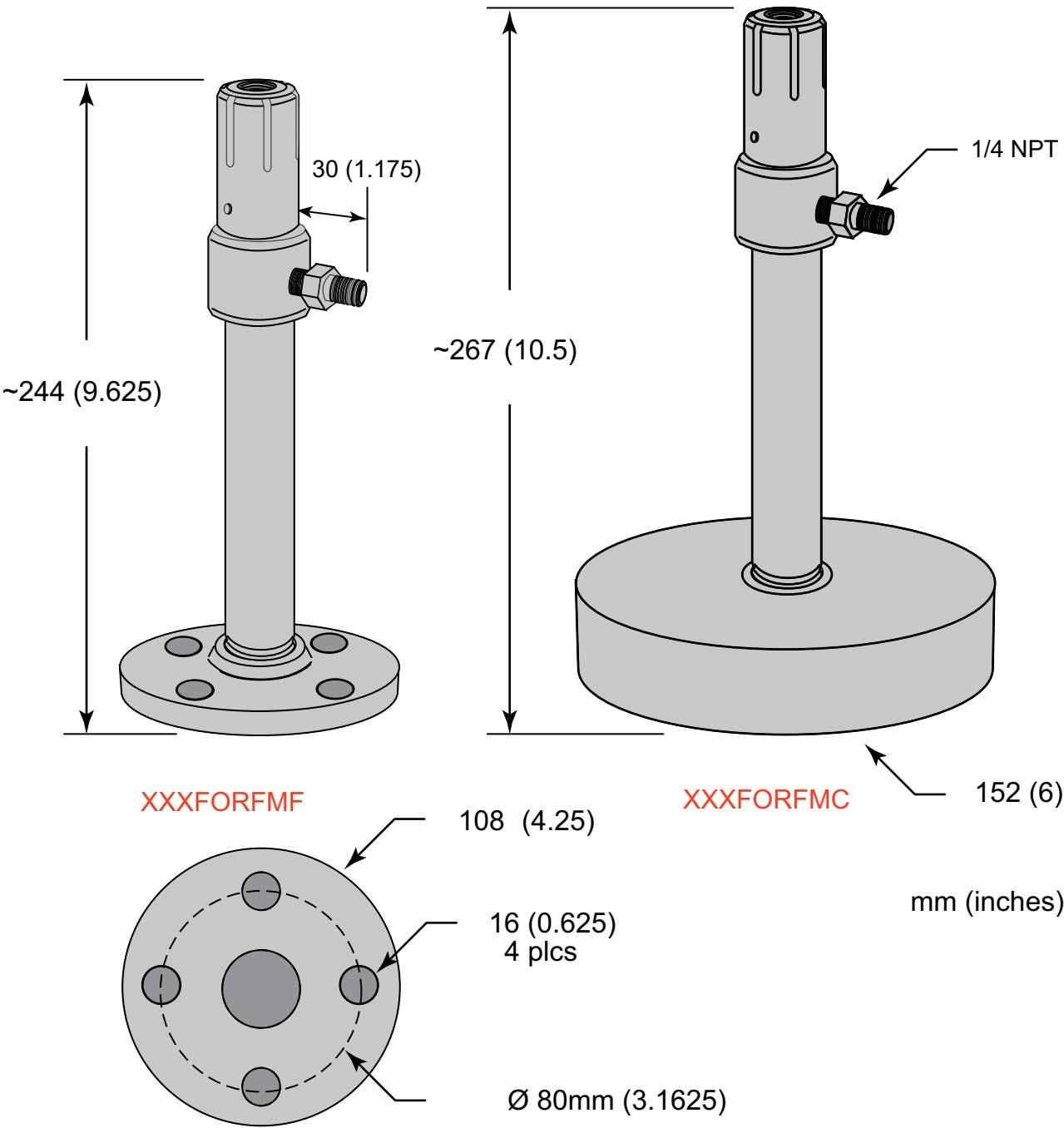
300mm (12 in) x 32mm (1.25 in) sighting tube conduit accessory

XXXFOSTCA

Marathon FR/FA Wall Mount and Roof Mount

Wall Mount

Roof Mount



Marathon FR/FA Air Purge and Sighting Tube Accessories



E3AFOPT

Marathon FR/FA Sighting Tube and Flexible Glass Fiber Protection



E3BFOPFT

Marathon FR/FA Roofmount Accessory with Flexible Glass Fiberprotection



E39FORFMC

Marathon FR/FA Wallmount Accessory with Flexible Glass Fiber Protection



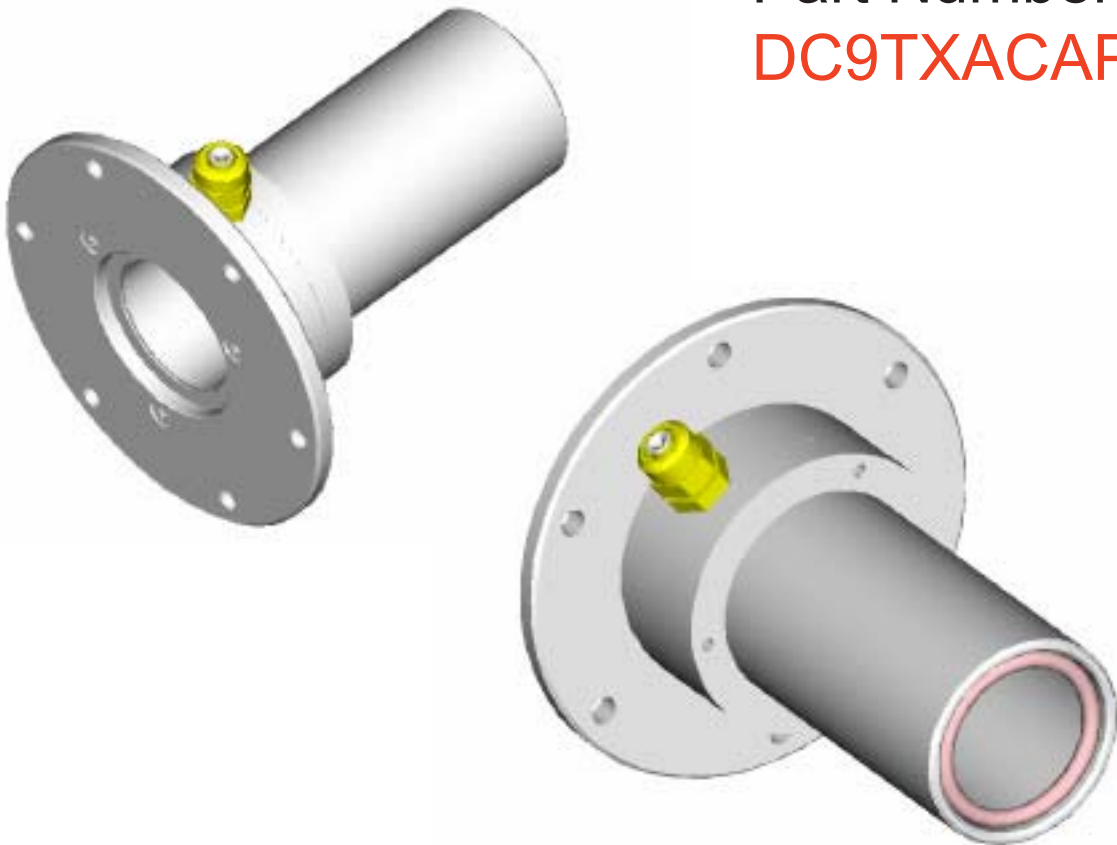
E38FORFMF

Sensing Head (TX, Marathon) with Modified Adjustable Pipe Adapter Assembly

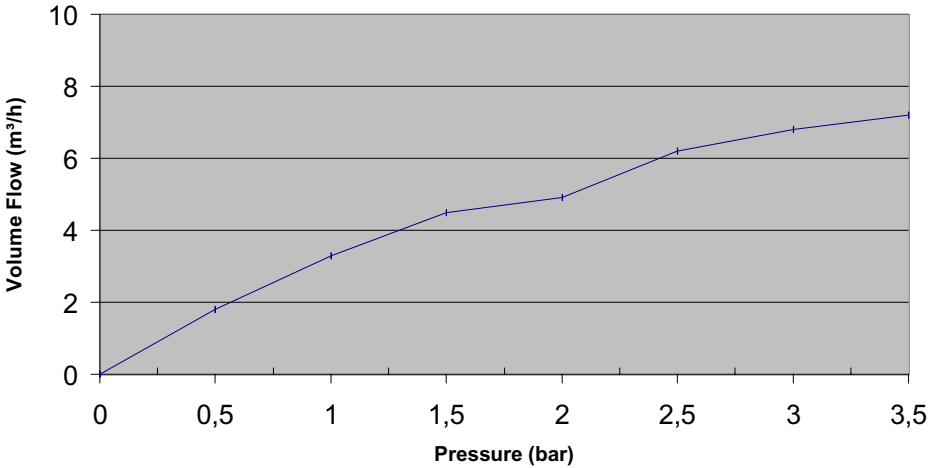


Low Flow Airpurge for TX without Water-Cooling

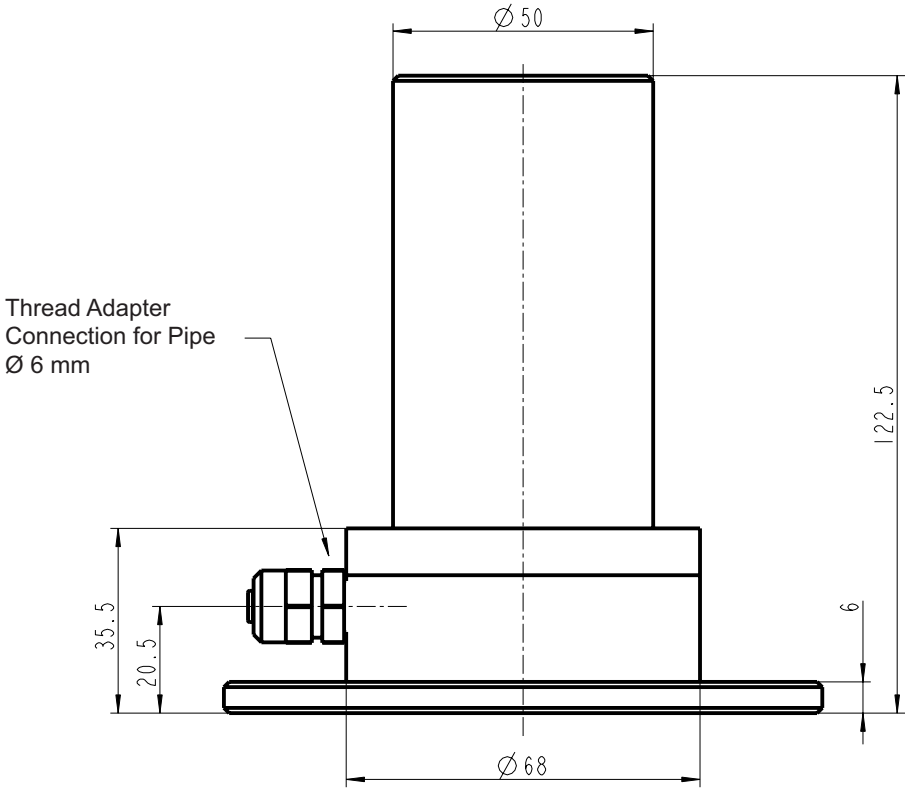
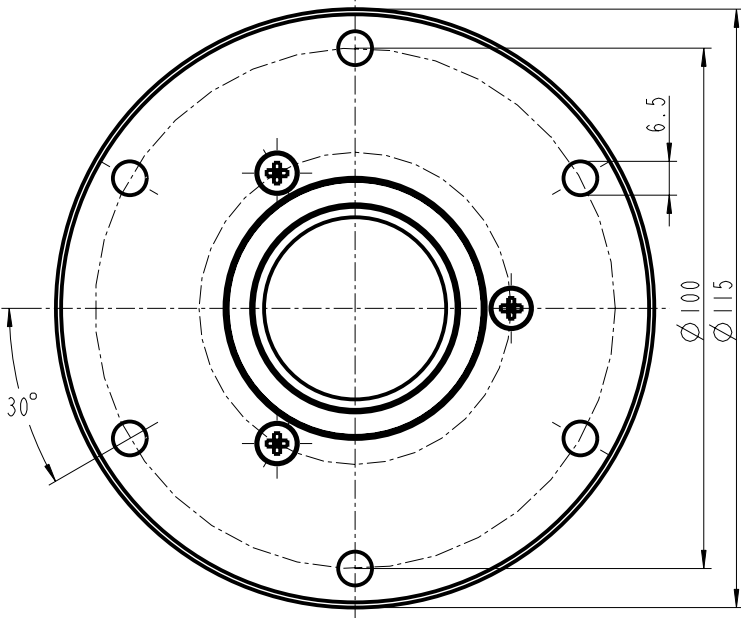
Part Number:
DC9TXACAP



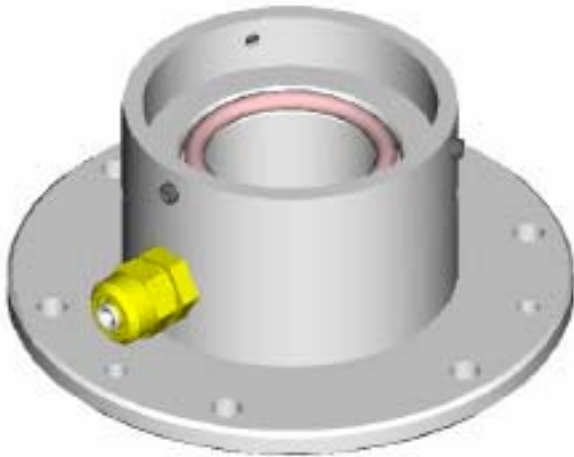
Characteristic Curve



30-120 l/min



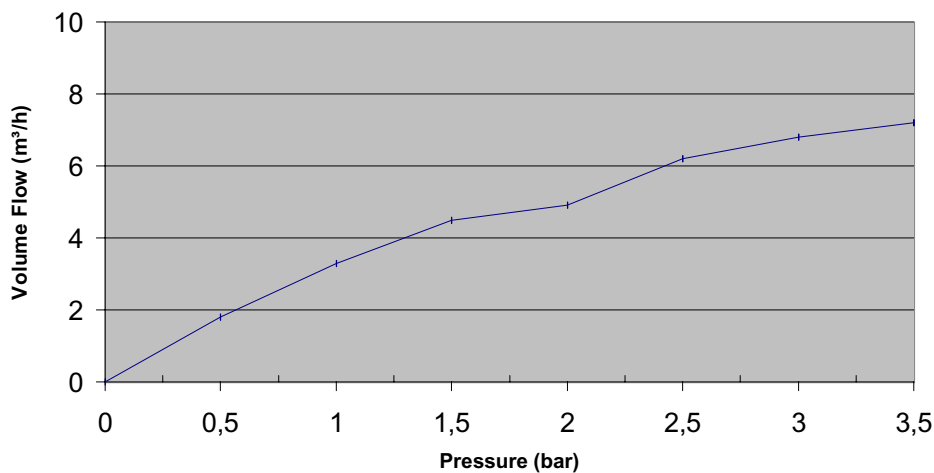
Low Flow Airpurge for TX with Water-Cooling



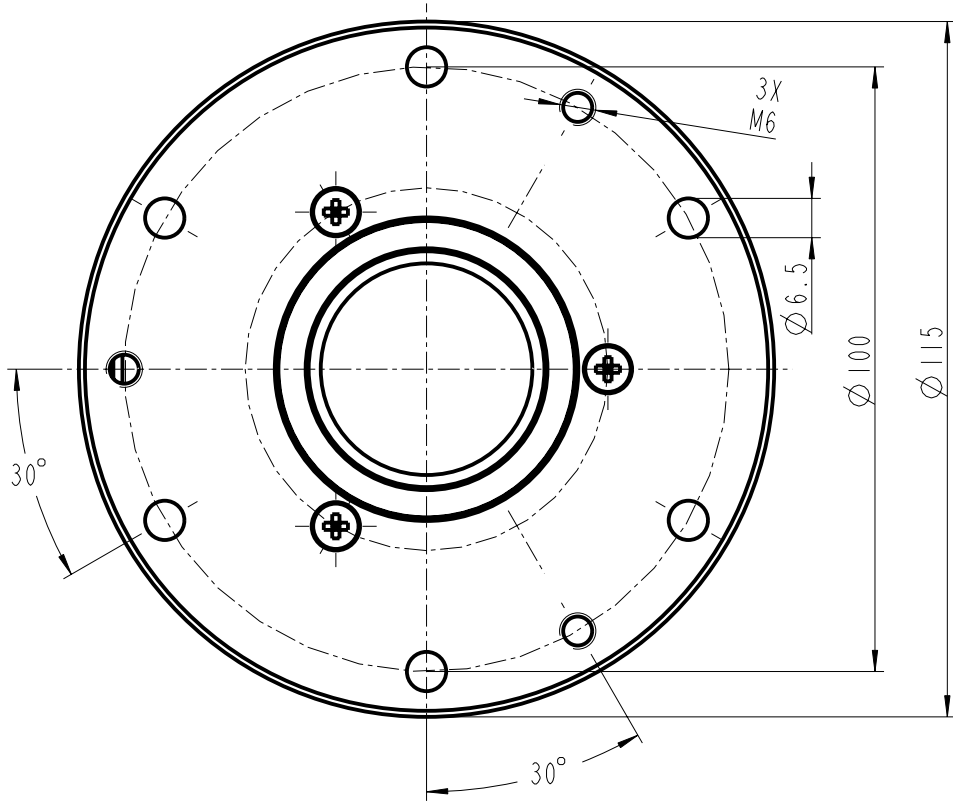
Part Number:
DL1TXACAP



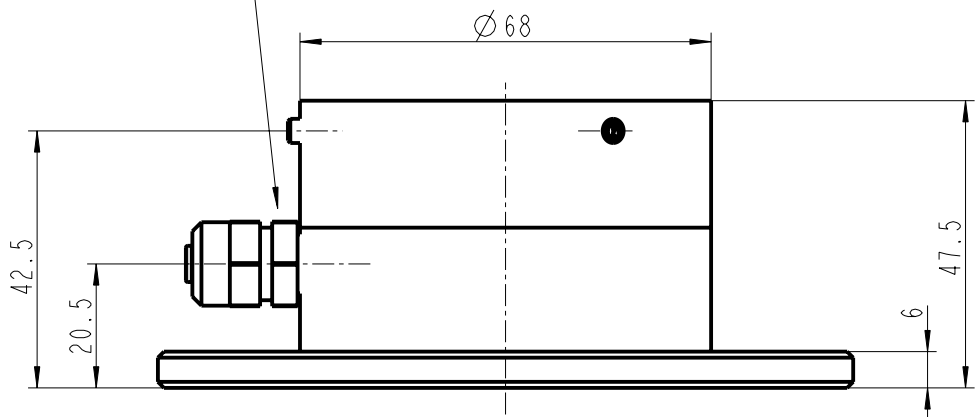
Characteristic Curve



30-120 l/min



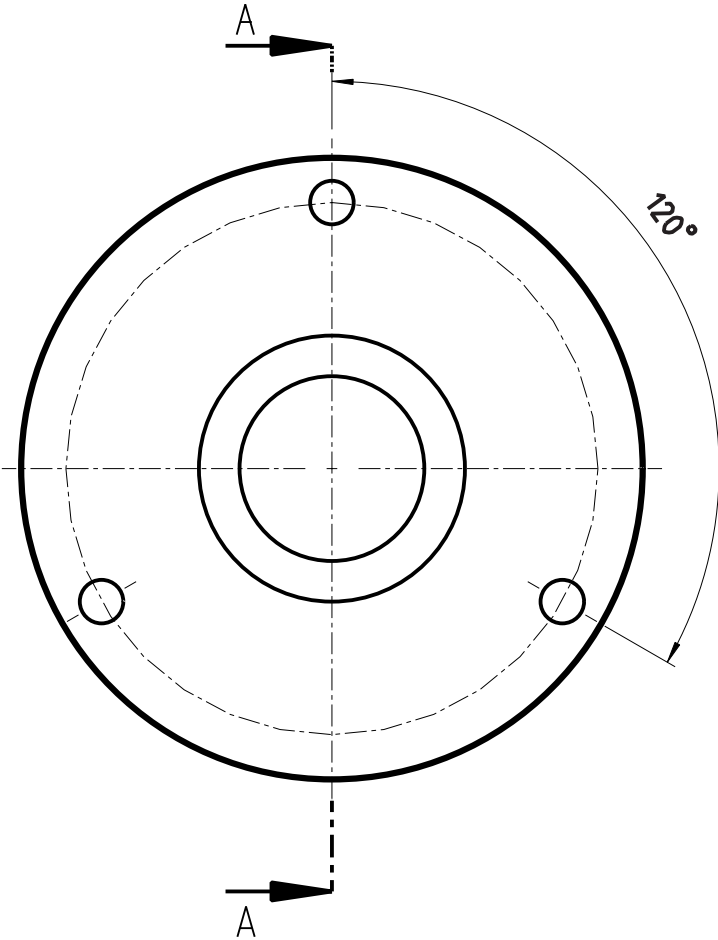
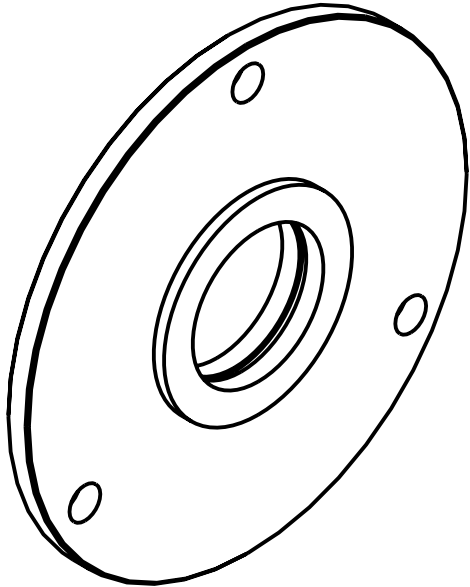
Thread Adapter
Connection for Pipe
 $\varnothing 6$ mm



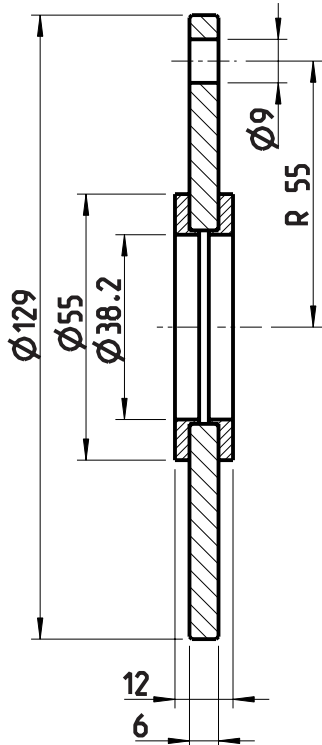
Mounting Flange with 2 Teflon Insulating Rings



XXXT2XACRF



A-A



Dual Laser Sighting for Thermalert MID

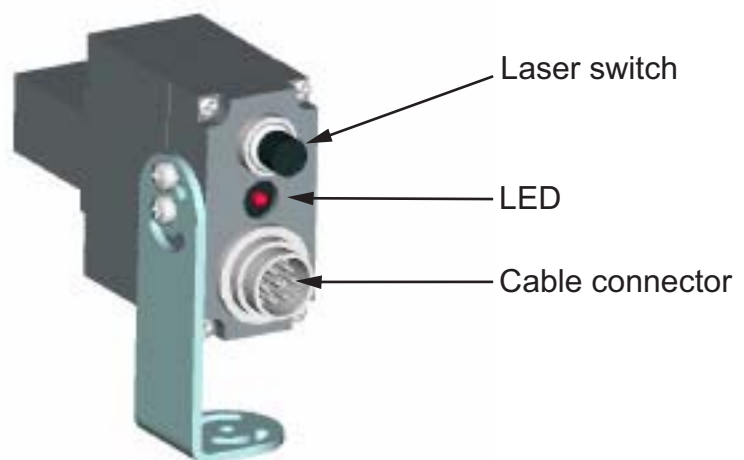


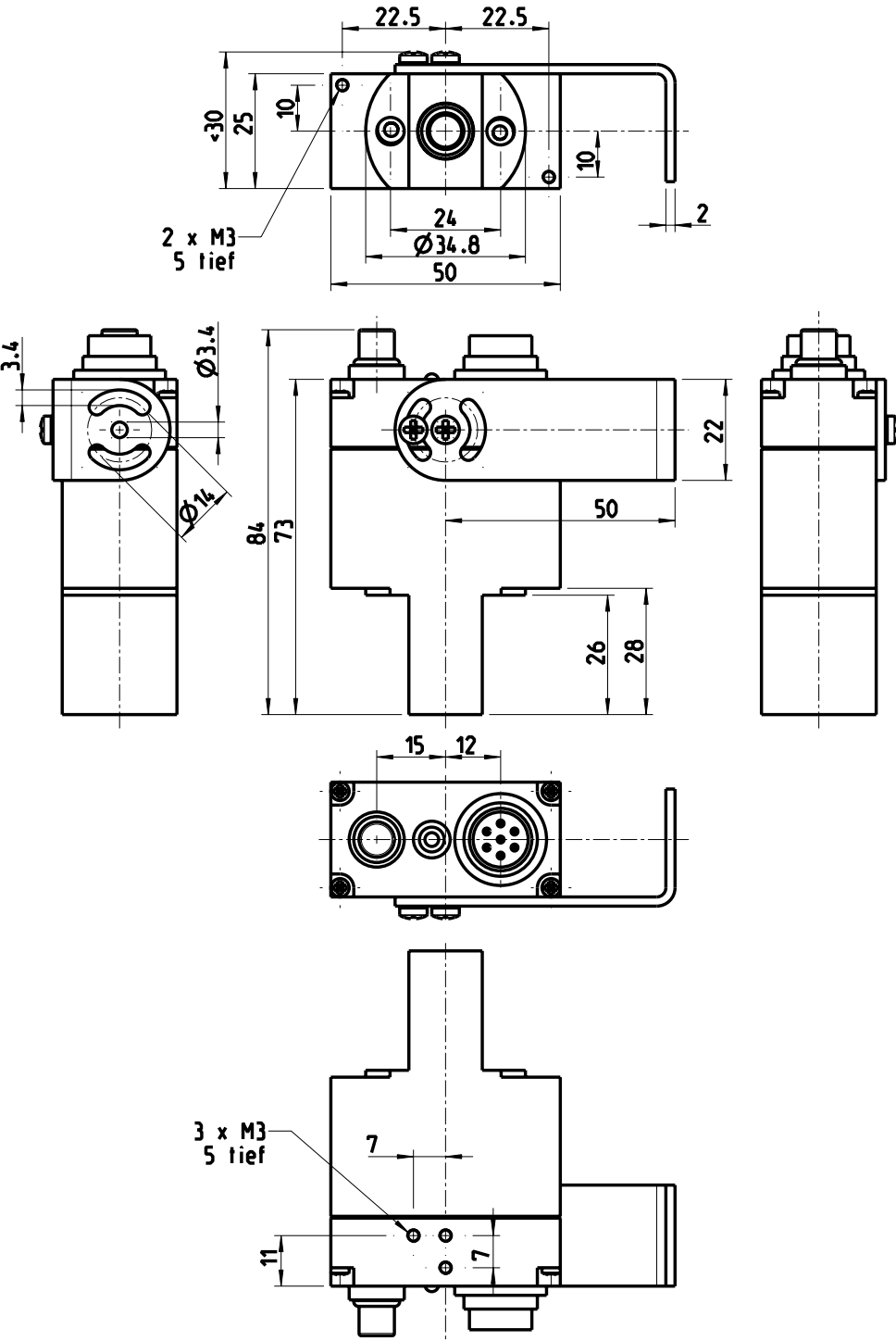
Lieferumfang / Shipping package:

- Thermalert MID10LT
- Doppellaservisier / Laser sighting enclosure
- Montagewinkel / Mounting bracket
- Kabel 4,5 m / 4.5 m cable (XXXCB15)

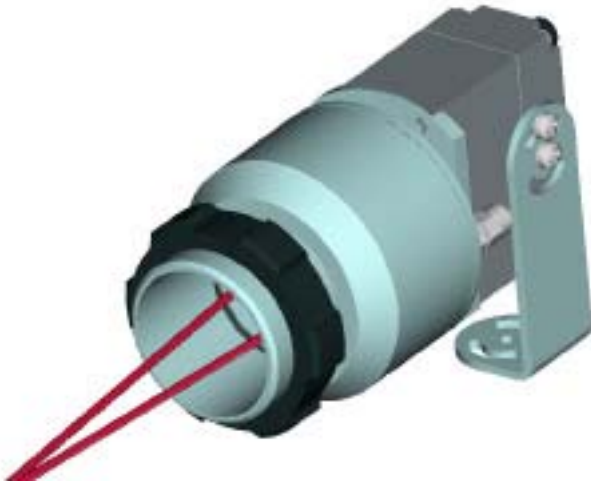
Part number:

DO1MID10LT



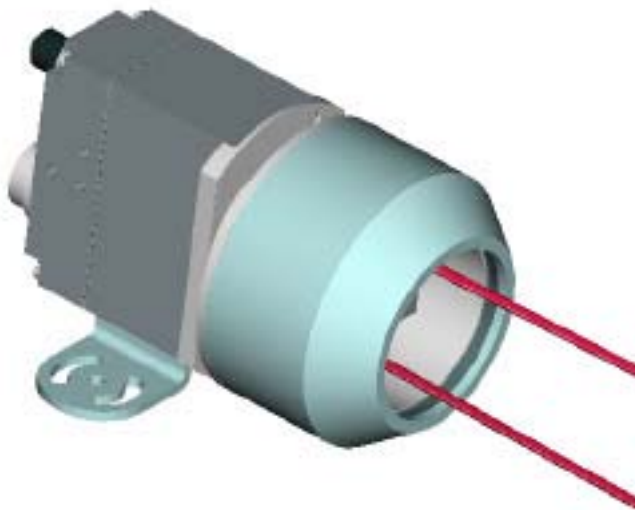


Thermalert MID - Air Purge for Laser Sighting Option



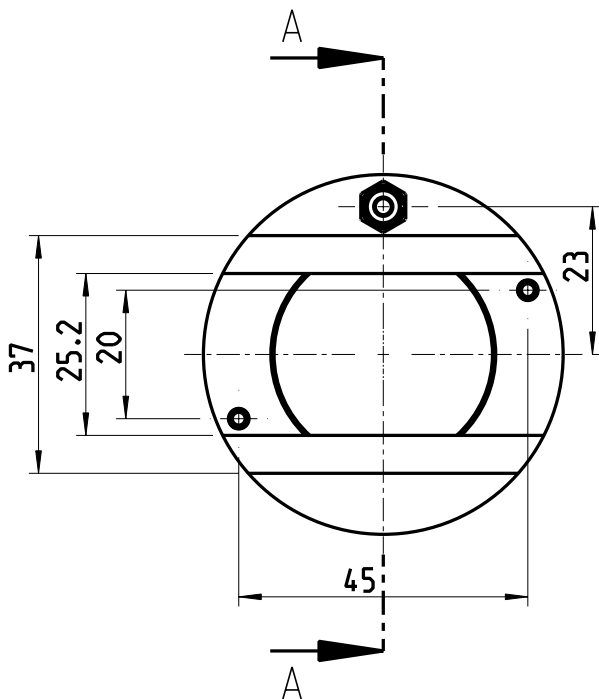
DOB MI ACAJ

Air purge for DO1MID10LT with thread

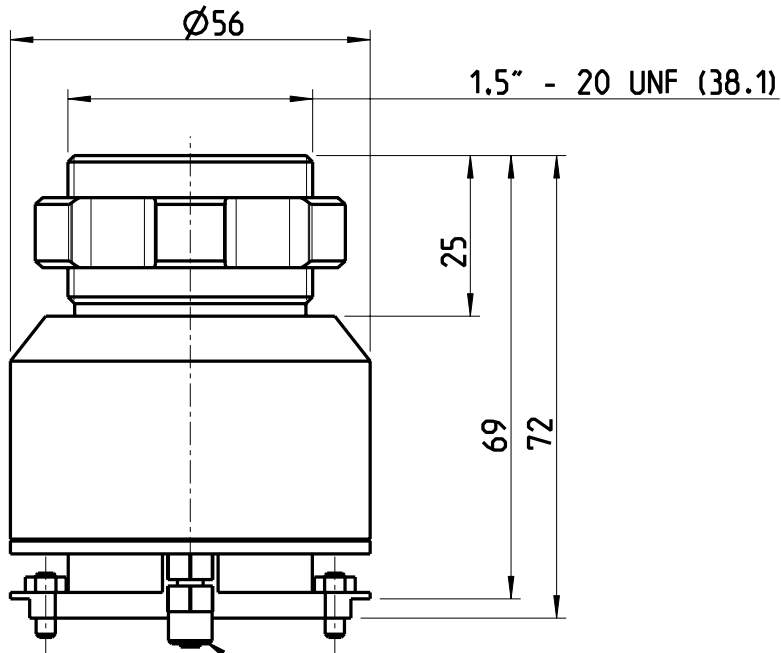
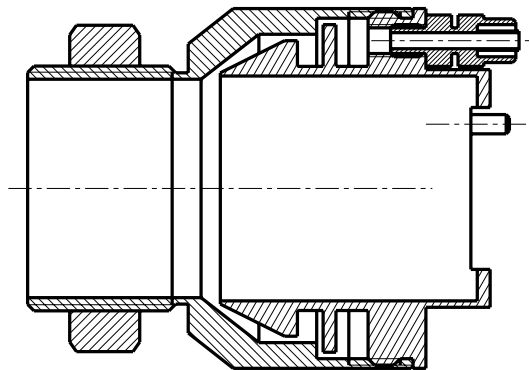


DOA MI ACAJ

Air purge for DO1MID10LT without thread



A-A



Schlauchanschluß ID 3 ; AD 5
Schlüsselweite 7

Air-Cooling Accessories for MID with Conduit



DO5MID10LT EMI - Protection Tube with Air Purge



DO4MID10LT EMI - Protection Tube